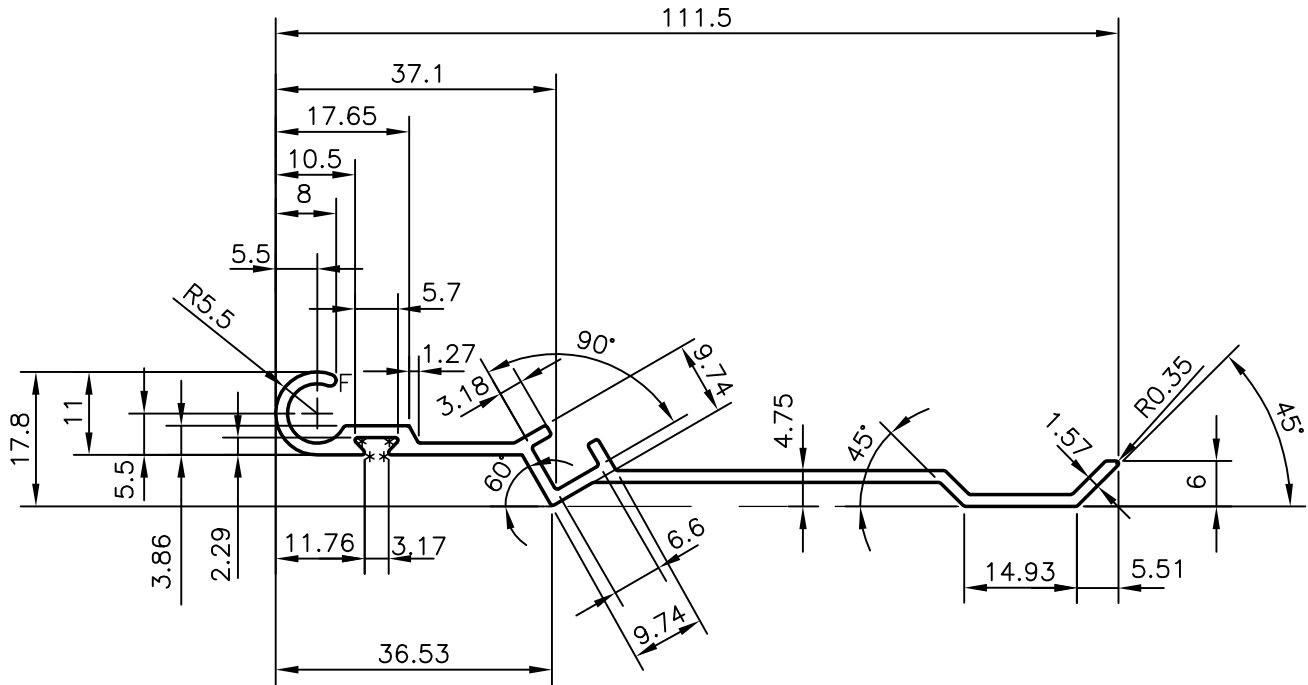


P-6802-1

26759



GENERAL WALL THICKNESS :- 1.57 mm

F = FULL RADIUS

\* = 0.35 RADIUS( 4 PLACES)



SYMBOL OF QUALITY  
AN ISO 9001 COMPANY

**JINDAL ALUMINIUM LTD.**  
BANGALORE-560073 (INDIA)

	NAME	DATE
DRAWN	J.P.KAUSHIK	08-12-2006
CHECKED		
APPROVED		
SCALE		1:1
AREA mm <sup>2</sup>		231.406
PERIMETER mm.		286.458
WEIGHT kg/m		0.625
DRAWING No.	SECTION No.	
P-6802-1	-	
26759	26759	

1. ALL DIMENSIONS ARE IN mm.
2. ROUND OFF ALL SHARP CORNERS WITH 0.40 mm.
3. TOLERANCES WILL BE AS PER EN12020-2:2001 UNLESS OTHERWISE SPECIFIED

PARTY'S NAME	K.B.E , LEBANON
PARTY'S DRAWING No.	11593
ALLOY & TEMPER	6063 T6
DESCRIPTION	MISC. SECTION