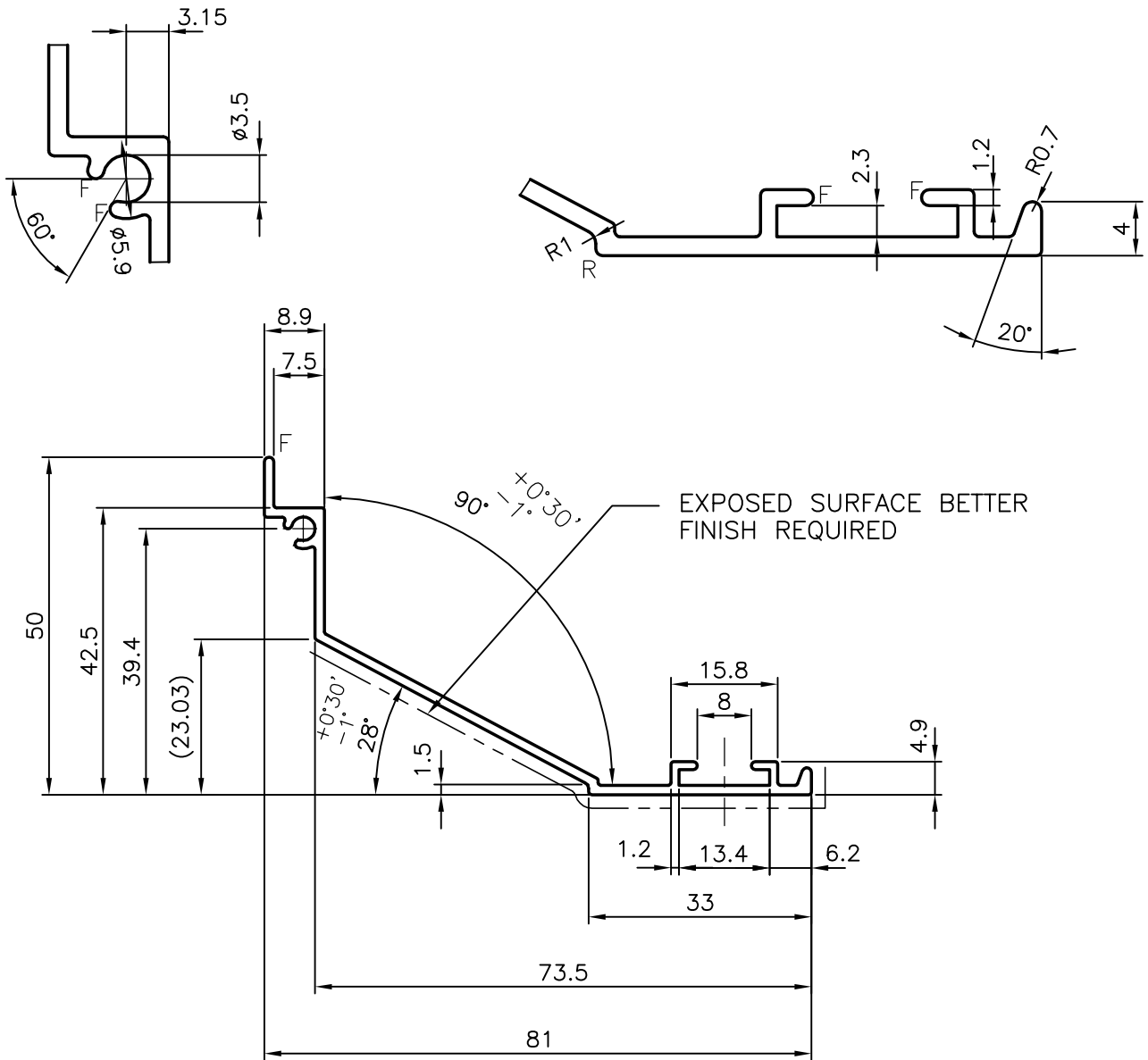



P-5867-4
X634
26784



GENERAL WALL THICKNESS 1.40 mm
 F = FULL RADIUS (5)
 R = 0.5 RADIUS (1)

 SYMBOL OF QUALITY AN ISO 9001 COMPANY	JINDAL ALUMINIUM LTD. BANGALORE-560073 (INDIA)	NAME	DATE
		DRAWN	RAGHAVENDRA 17-10-2006
1. ALL DIMENSIONS ARE IN mm. 2. ROUND OFF ALL SHARP CORNERS WITH 0.40 mm. 3. TOLERANCES WILL BE AS PER DIN-1748 UNLESS OTHERWISE SPECIFIED		CHECKED	
		APPROVED	
PARTY'S NAME TECHNOTRADE LTD., RUSSIA		SCALE	1:1
		AREA mm ²	183.992
PARTY'S DRAWING No. AS PER DRAWING		PERIMETER mm.	261.168
		WEIGHT kg/m	0.497
ALLOY & TEMPER 6060 T1		DRAWING No.	SECTION No.
		P-5867-4	-
DESCRIPTION AIR GRILL		X634	X634
		26784	26784