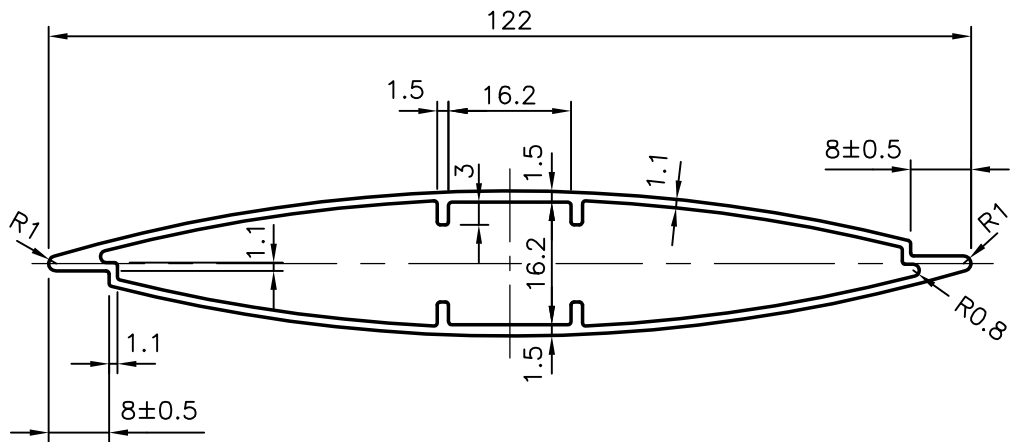


P-5812

S1597

26796



SYMBOL OF QUALITY
AN ISO 9001 COMPANY

JINDAL ALUMINIUM LTD.
BANGALORE-560073 (INDIA)

	NAME	DATE
DRAWN	MALINGAPPA	18-08-2005
CHECKED		
APPROVED		

1. ALL DIMENSIONS ARE IN mm.
2. ROUND OFF ALL SHARP CORNERS WITH 0.40 mm.
3. TOLERANCES WILL BE AS PER IS:6477-1983 UNLESS OTHERWISE SPECIFIED

SCALE	1:1
AREA mm ²	313
PERIMETER mm.	252.403
WEIGHT kg/m	0.845

PARTY'S NAME AIRBON DUCT DAMPERS, PUNE

PARTY'S DRAWING No. AS PER DRAWING

ALLOY & TEMPER 6063 T6

DESCRIPTION 122x1.1 mm AIROFOIL DAMPER STRIP

DRAWING No.	SECTION No.
P-5812	-
S1597	S1597
26796	26796