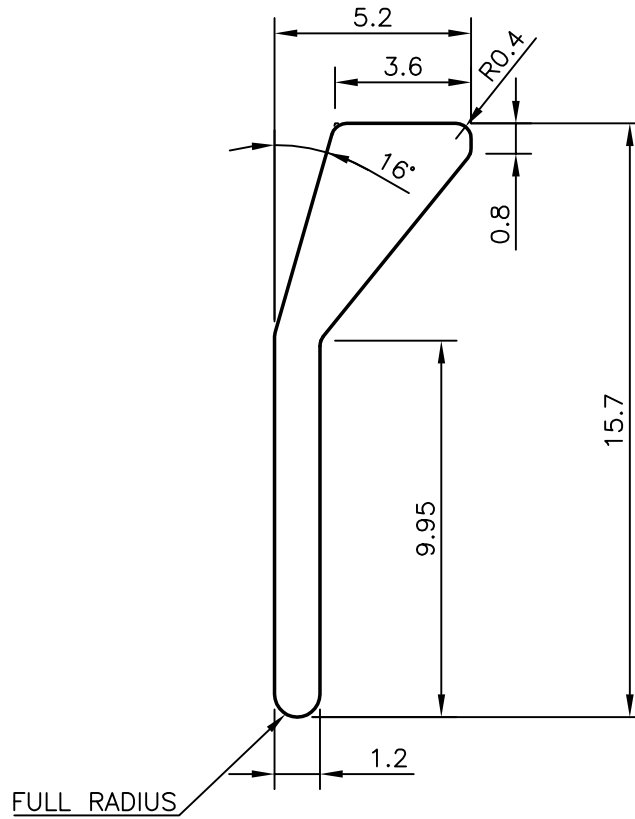


P-7195
X688
26835



SCALE 1:1



SYMBOL OF QUALITY
AN ISO 9001 COMPANY

JINDAL ALUMINIUM LTD.
BANGALORE-560073 (INDIA)

	NAME	DATE
DRAWN	PRASANN.H	10-04-2007
CHECKED		
APPROVED		

1. ALL DIMENSIONS ARE IN mm.
2. ROUND OFF ALL SHARP CORNERS WITH 0.50 mm.
3. TOLERANCES WILL BE AS PER IS:3965-1981 UNLESS OTHERWISE SPECIFIED

SCALE	5:1
AREA mm ²	27.27
PERIMETER mm.	37.043
WEIGHT kg/m	0.074

PARTY'S NAME	BASKAR INDUSTRIES, CHENNAI
PARTY'S DRAWING No.	AS PER DRAWING
ALLOY & TEMPER	HE9 WP
DESCRIPTION	AIR GRILL SECTION

DRAWING No.	SECTION No.
P-7195	-
X688	X688
26835	26835