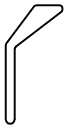


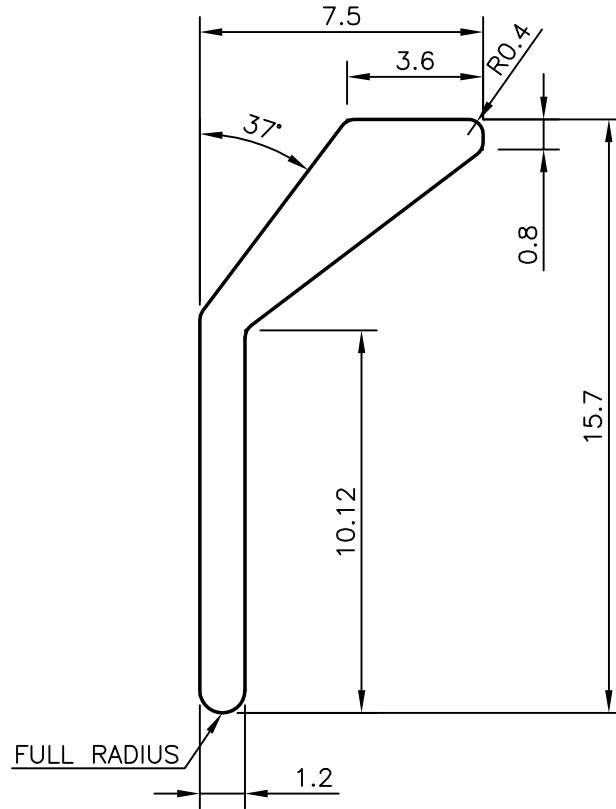
P-7196

X689

26836



SCALE 1:1



SYMBOL OF QUALITY
AN ISO 9001 COMPANY

JINDAL ALUMINIUM LTD.
BANGALORE-560073 (INDIA)

	NAME	DATE
DRAWN	PRASANN.H	10-04-2007
CHECKED		
APPROVED		

1. ALL DIMENSIONS ARE IN mm.
2. ROUND OFF ALL SHARP CORNERS WITH 0.50 mm.
3. TOLERANCES WILL BE AS PER IS:3965-1981 UNLESS OTHERWISE SPECIFIED

SCALE	5:1
AREA mm ²	28.648
PERIMETER mm.	39.851
WEIGHT kg/m	0.077

PARTY'S NAME	BASKAR INDUSTRIES, CHENNAI	DRAWING No.	P-7196	SECTION No.	-
PARTY'S DRAWING No.	AS PER DRAWING	X689	X689		
ALLOY & TEMPER	HE9 WP	26836	26836		
DESCRIPTION	AIR GRILL SECTION				