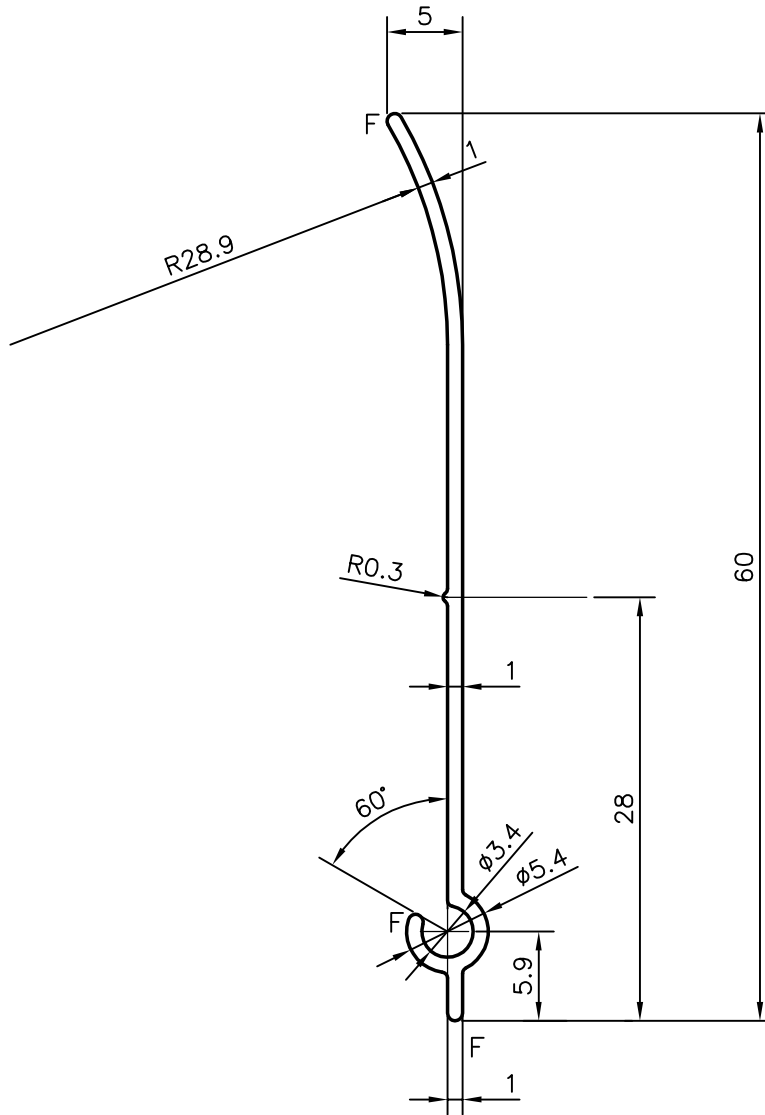
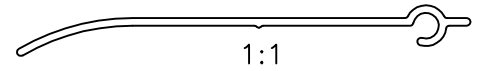


P-9999

26854



F = FULL RADIUS (3 PLACES )



SYMBOL OF QUALITY  
AN ISO 9001 COMPANY

**JINDAL ALUMINIUM LTD.**  
BANGALORE-560073 (INDIA)

	NAME	DATE
DRAWN	J.P.KAUSHIK	29-04-2010
CHECKED		
APPROVED	S.S.GARG	30-06-2010
SCALE		2:1
AREA mm <sup>2</sup>		66.817
PERIMETER mm.		134.498
WEIGHT kg/m		0.180

1. ALL DIMENSIONS ARE IN mm.
2. ROUND OFF ALL SHARP CORNERS WITH 0.40 mm.
3. TOLERANCES WILL BE AS PER BS:EN-755 UNLESS OTHERWISE SPECIFIED

PARTY'S NAME	EASA HUSAIN AL-YOUSIFI & SONS CO., KUWAIT
PARTY'S DRAWING No.	AS PER SAMPLE
ALLOY & TEMPER	6063 T6
DESCRIPTION	AIR GRILL SECTION

DRAWING No.	SECTION No.
P-9999	
26854	26854