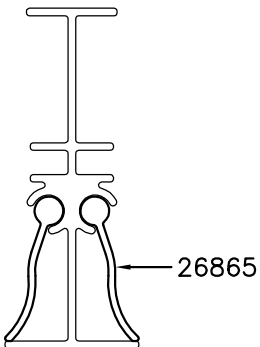
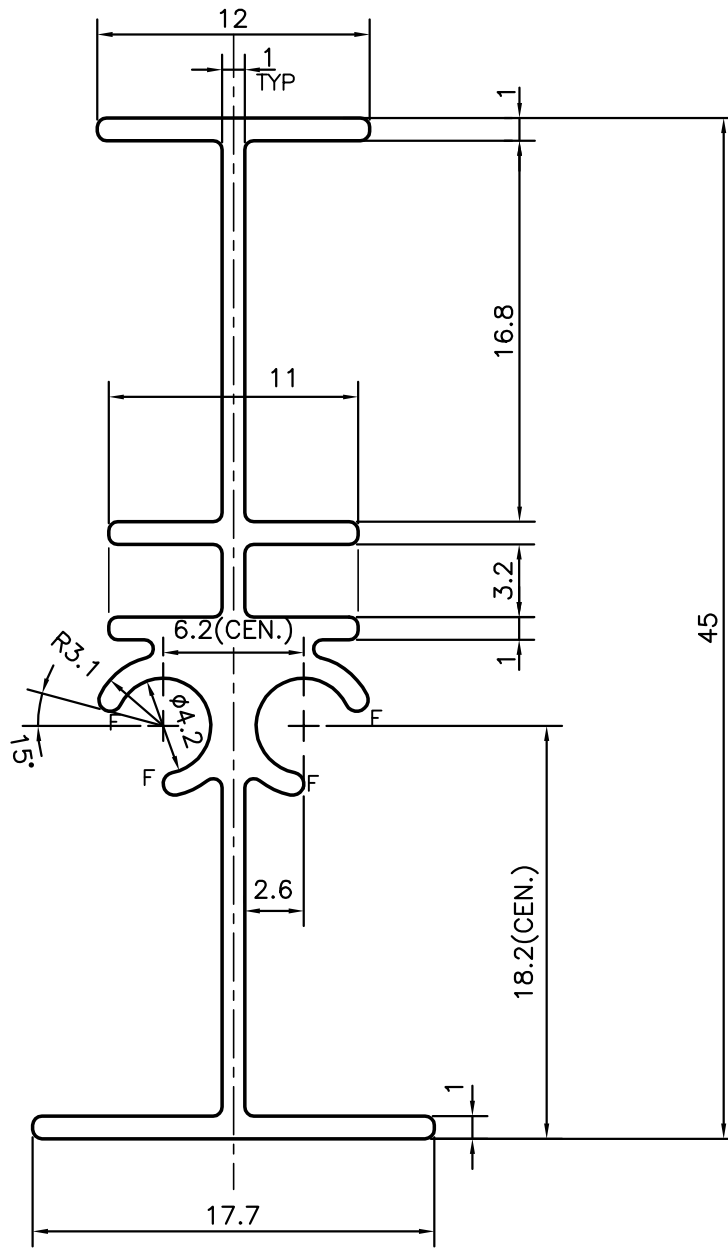
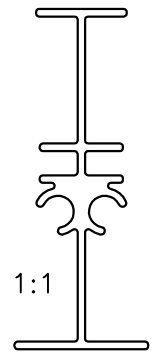



P-11103-1

26863



F = FULL RADIUS (4 PLACES)

 SYMBOL OF QUALITY AN ISO 9001 COMPANY	JINDAL ALUMINIUM LTD. BANGALORE-560073 (INDIA)	DRAWN	J.P.KAUSHIK	DATE	21-07-2011
		CHECKED			
1. ALL DIMENSIONS ARE IN mm. 2. ROUND OFF ALL SHARP CORNERS WITH 0.40 mm. 3. TOLERANCES WILL BE AS PER, BS:EN-755-9 UNLESS OTHERWISE SPECIFIED		APPROVED	S.S.GARG		01-08-2011
		SCALE			3:1
PARTY'S NAME FAISAL JASSIM INDUSTRIES, UAE		AREA	mm ²		119.825
		PERIMETER	mm.		198.948
PARTY'S DRAWING No. AS PER SAMPLE		WEIGHT	kg/m		0.324
		DRAWING No.		SECTION No.	
ALLOY & TEMPER 6063 T6		P-11103-1			
		26863			26863
DESCRIPTION AIR GRILL SECTION					