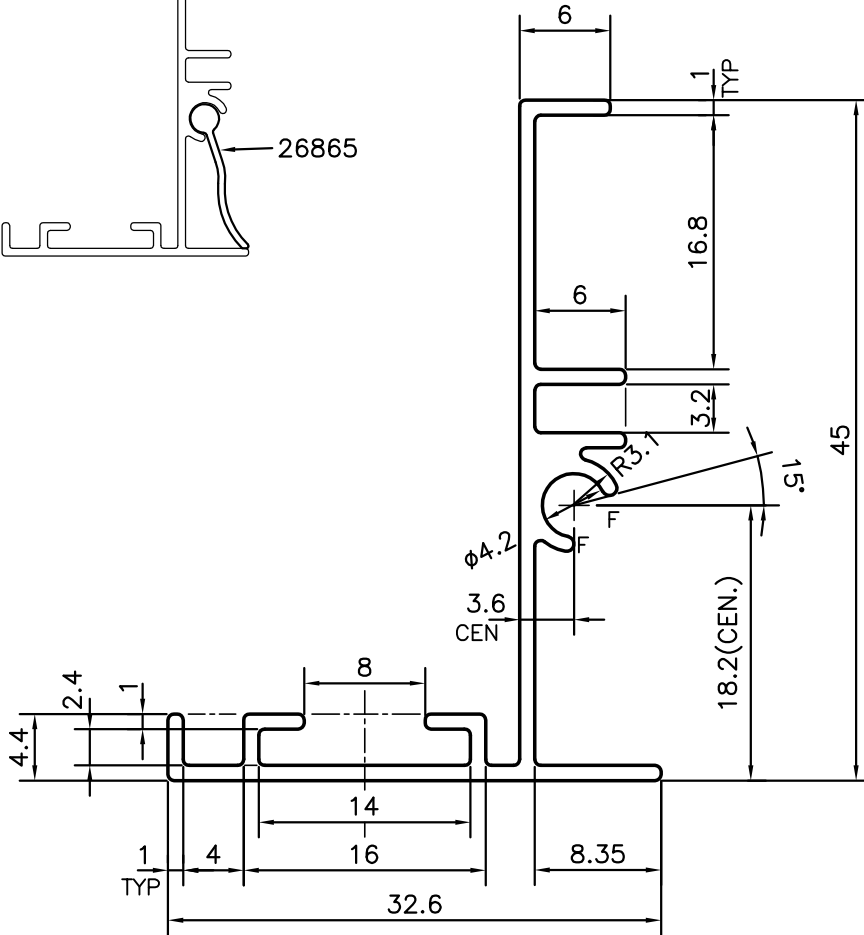
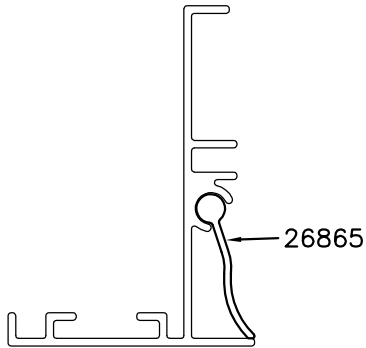
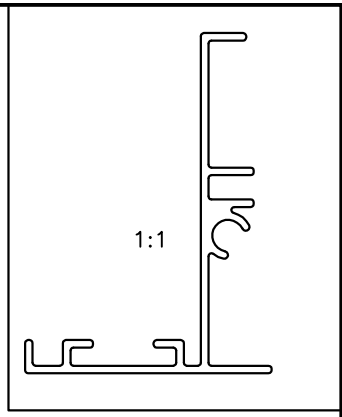



P-11104-1

26864



F = FULL RADIUS (2 PLACES)

 SYMBOL OF QUALITY AN ISO 9001 COMPANY	JINDAL ALUMINIUM LTD. BANGALORE-560073 (INDIA)	NAME		DATE	
		DRAWN	J.P.KAUSHIK	21-07-2011	
1. ALL DIMENSIONS ARE IN mm. 2. ROUND OFF ALL SHARP CORNERS WITH 0.40 mm. 3. TOLERANCES WILL BE AS PER,BS:EN-755-9 UNLESS OTHERWISE SPECIFIED		CHECKED			
		APPROVED	S.S.GARG	01-08-2011	
PARTY'S NAME		FAISAL JASSIM INDUSTRIES, UAE		SCALE	2:1
		PARTY'S DRAWING No.		AS PER SAMPLE	AREA mm ²
ALLOY & TEMPER		6063 T6		PERIMETER mm.	225.633
		DESCRIPTION		AIR GRILL SECTION	WEIGHT kg/m
		DRAWING No.		SECTION No.	
		P-11104-1		-	
		26864		26864	