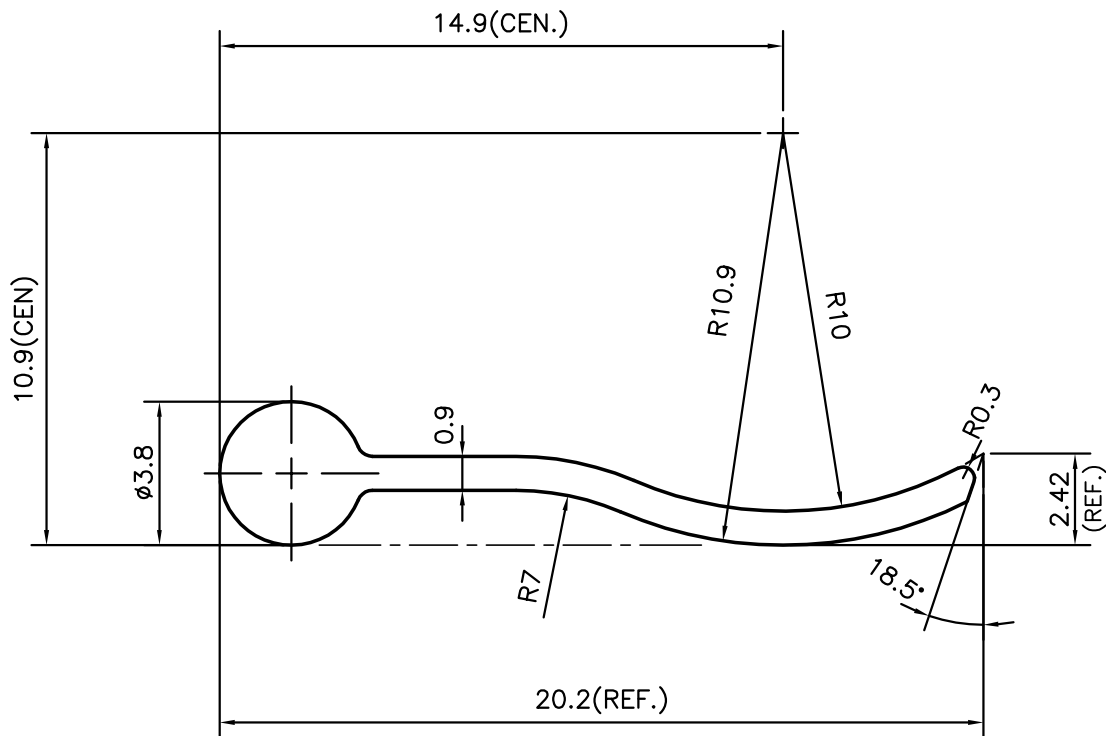
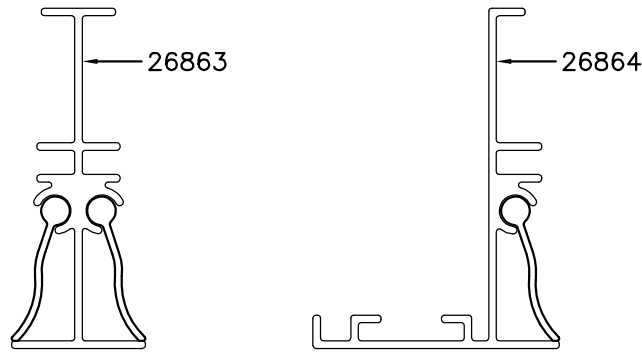


P-11105

26865



SYMBOL OF QUALITY  
AN ISO 9001 COMPANY

**JINDAL ALUMINIUM LTD.**  
BANGALORE-560073 (INDIA)

|          | NAME        | DATE       |
|----------|-------------|------------|
| DRAWN    | J.P.KAUSHIK | 20-07-2011 |
| CHECKED  |             |            |
| APPROVED | S.S.GARG    | 01-08-2011 |

1. ALL DIMENSIONS ARE IN mm.
2. ROUND OFF ALL SHARP CORNERS WITH 0.40 mm.
3. TOLERANCES WILL BE AS PER, BS:EN-755-9 UNLESS OTHERWISE SPECIFIED

|                      |        |
|----------------------|--------|
| SCALE                | 5:1    |
| AREA mm <sup>2</sup> | 26.211 |
| PERIMETER mm.        | 44.701 |
| WEIGHT kg/m          | 0.071  |

|                     |                               |             |         |             |       |
|---------------------|-------------------------------|-------------|---------|-------------|-------|
| PARTY'S NAME        | FAISAL JASSIM INDUSTRIES, UAE | DRAWING No. | P-11105 | SECTION No. | -     |
| PARTY'S DRAWING No. | AS PER SAMPLE                 |             | 26865   |             | 26865 |
| ALLOY & TEMPER      | 6063 T6                       |             |         |             |       |
| DESCRIPTION         | AIR GRILL SECTION             |             |         |             |       |