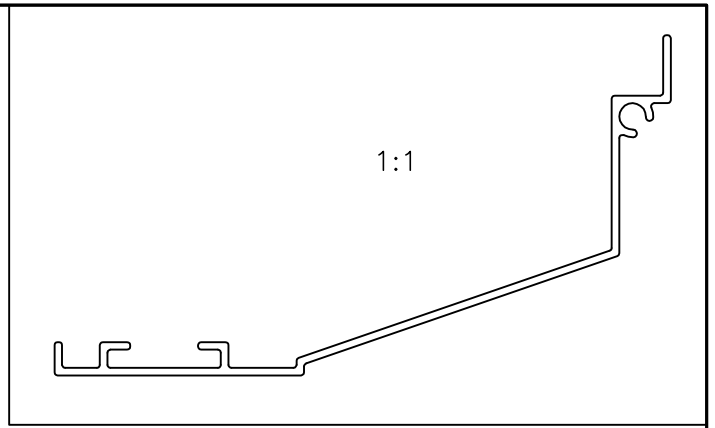


P-13680

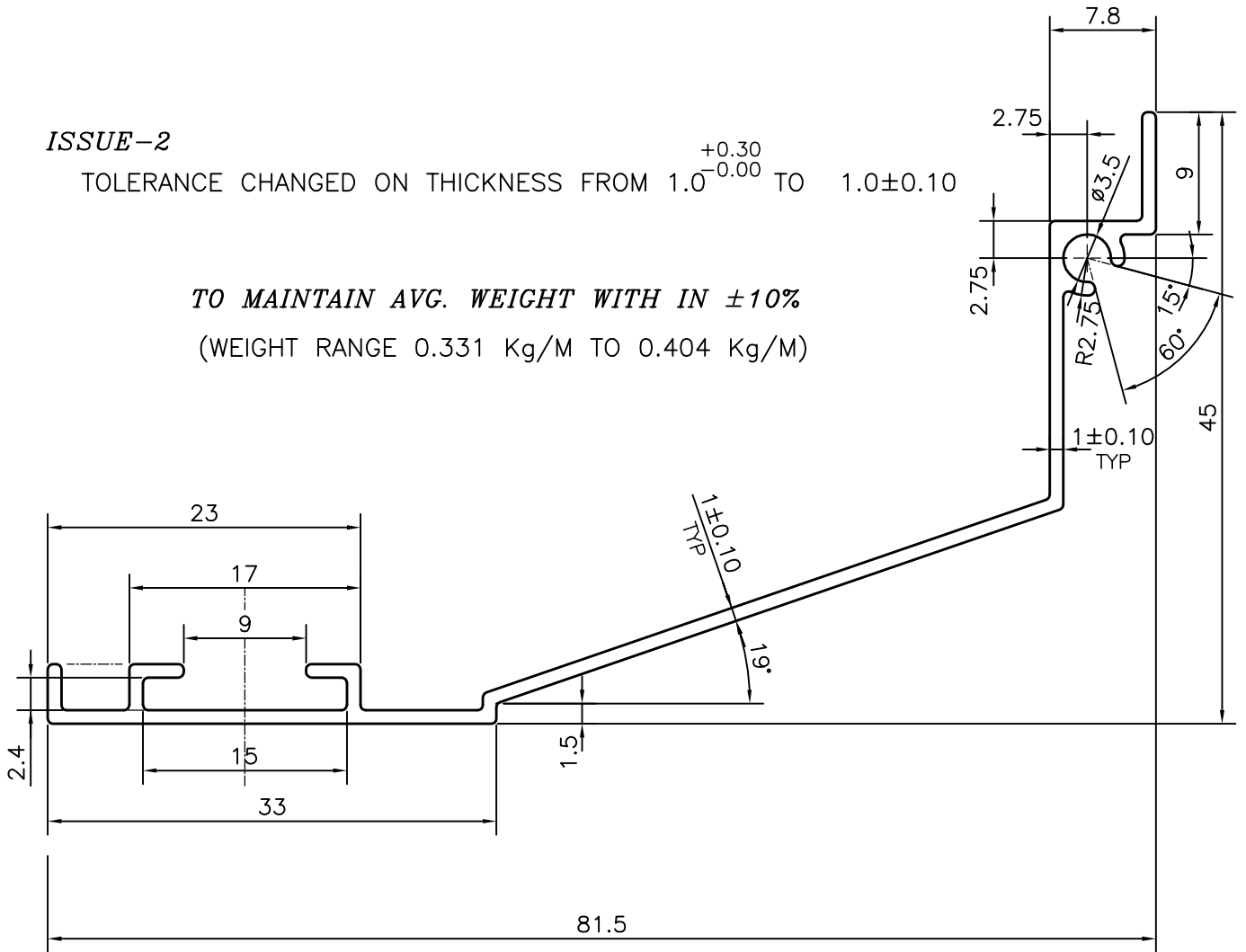
26884



**ISSUE-2**

TOLERANCE CHANGED ON THICKNESS FROM  $1.0^{+0.30}_{-0.00}$  TO  $1.0 \pm 0.10$

TO MAINTAIN AVG. WEIGHT WITH IN  $\pm 10\%$   
(WEIGHT RANGE 0.331 Kg/M TO 0.404 Kg/M)



SYMBOL OF QUALITY  
AN ISO 9001 COMPANY

**JINDAL ALUMINIUM LTD.**  
BANGALORE-560073 (INDIA)

	NAME	DATE
DRAWN	J.P.KAUSHIK	09-10-2014
CHECKED		
APPROVED	S.S.GARG	15-10-2014
SCALE		2:1
AREA	mm <sup>2</sup>	135.521
PERIMETER	mm.	263.823
WEIGHT	kg/m	0.366
DRAWING No.	SECTION No.	
P-13680	-	
26884	26884(ISSUE-2)	

1. ALL DIMENSIONS ARE IN mm.
2. ROUND OFF ALL SHARP CORNERS WITH 0.40 mm.
3. TOLERANCES WILL BE AS PER,BS:EN-755-9 UNLESS OTHERWISE SPECIFIED

PARTY'S NAME	FAISAL JASSIM INDUSTRIES, UAE
PARTY'S DRAWING No.	LIGHTER OF SECTION;-26672-FTP-07
ALLOY & TEMPER	6063 T6
DESCRIPTION	AIR GRILL SECTION-DIFFUSER FRAME