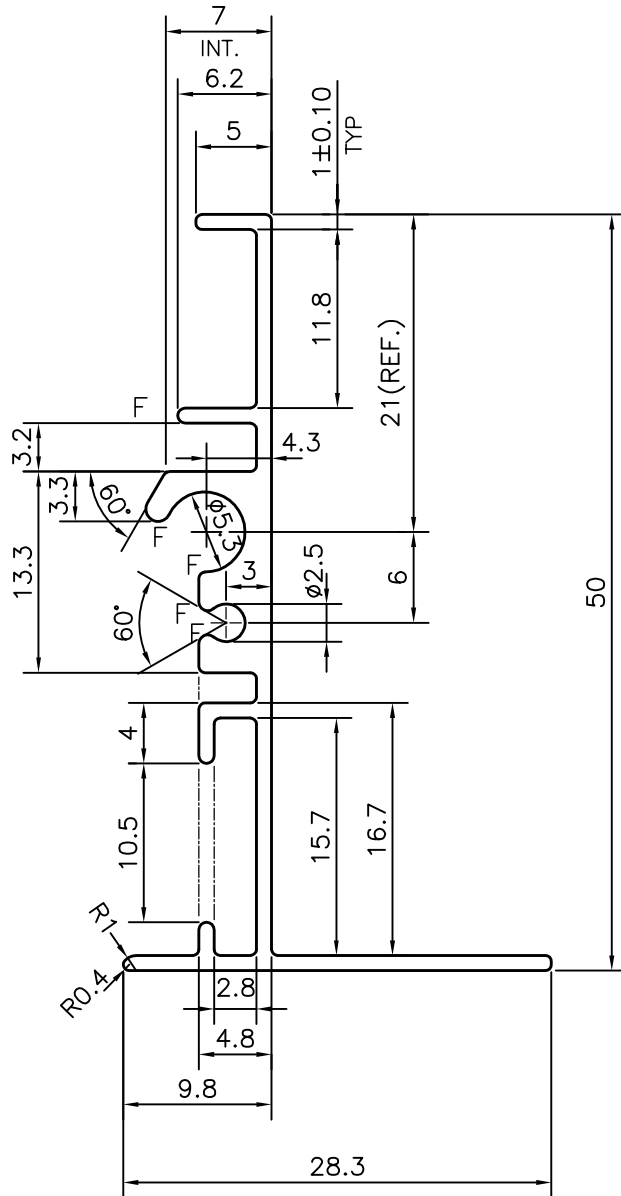


P-13918


26890



**ISSUE-2**

TOLERANCE ADDED ON THICKNESS  $1.0 \pm 0.10$   
**TO MAINTAIN AVG. WEIGHT WITH IN  $\pm 10\%$**   
 (WEIGHT RANGE 0.324 Kg/M TO 0.396 Kg/M)

F = FULL RADIUS(5 PLACES)

 SYMBOL OF QUALITY AN ISO 9001 COMPANY	<b>JINDAL ALUMINIUM LTD.</b> BANGALORE-560073 (INDIA)	NAME	DATE
		DRAWN	J.P.KAUSHIK
		CHECKED	
		APPROVED	S.S.GARG
		SCALE	2:1
		AREA mm <sup>2</sup>	133.462
		PERIMETER mm.	213.252
		WEIGHT kg/m	0.360
PARTY'S NAME	FAISAL JASSIM TRADING CO. (L.L.C.), UAE	DRAWING No.	SECTION No.
PARTY'S DRAWING No.	MODIFIED OF SECTION No:-26540	P-13918	-
ALLOY & TEMPER	6063 T6	26890	26890(ISSUE-2)
DESCRIPTION	AIR GRILL SECTION		