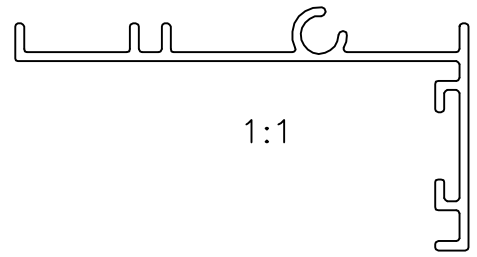
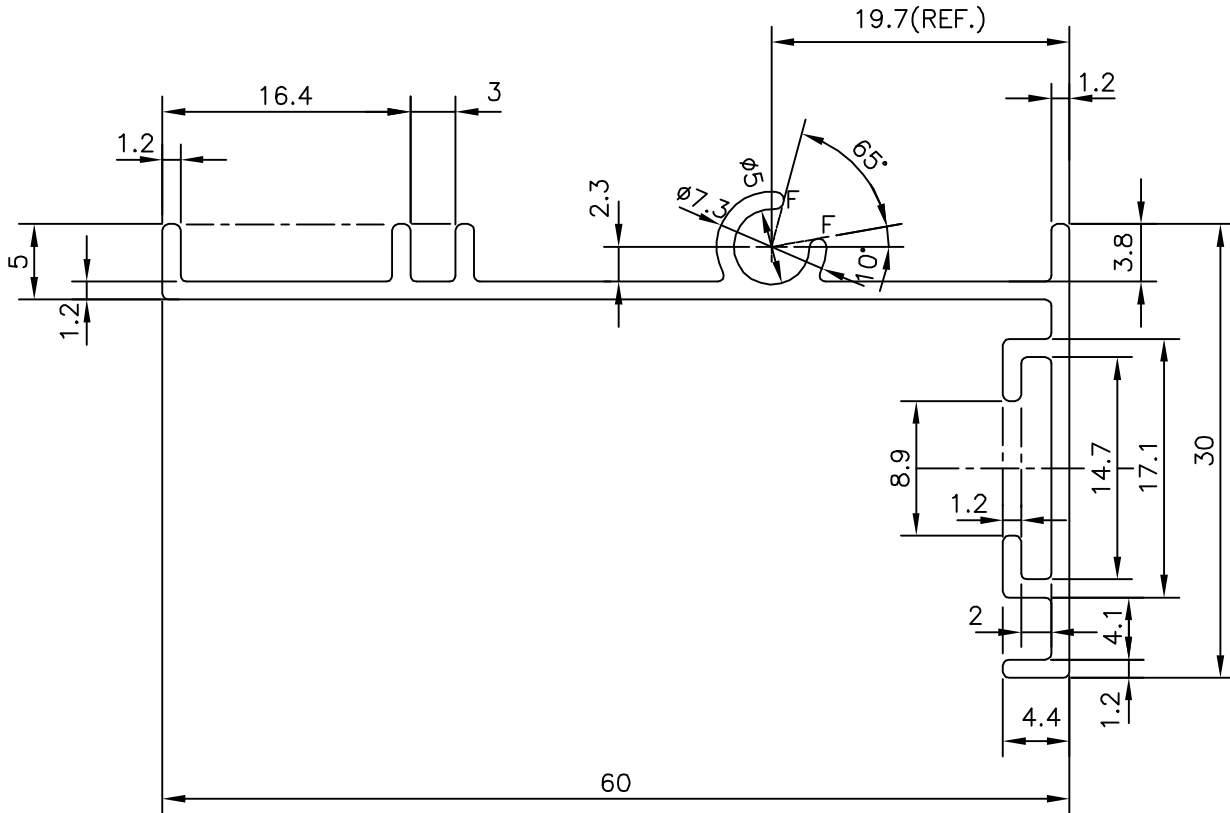


P-14370-1

26893



1:1



F = FULL RADIUS (2 PLACES)



SYMBOL OF QUALITY
AN ISO 9001 COMPANY

JINDAL ALUMINIUM LTD.
BANGALORE-560073 (INDIA)

	NAME	DATE
DRAWN	J.P.KAUSHIK	27-01-2015
CHECKED		
APPROVED	S.S.GARG	29-01-2015
SCALE		2:1
AREA mm ²		151.405
PERIMETER mm.		247.653
WEIGHT kg/m		0.409
DRAWING No.	SECTION No.	
P-14370-1		
26893	26893	

1. ALL DIMENSIONS ARE IN mm.
2. ROUND OFF ALL SHARP CORNERS WITH 0.4 mm.
3. TOLERANCES WILL BE AS PER BS:EN-755-9 UNLESS OTHERWISE SPECIFIED

PARTY'S NAME	NOOR AL EYMAN CO.,BAHRAIN
PARTY'S DRAWING No.	AS PER 26853 & CUSTOMER REQUIREMENT
ALLOY & TEMPER	6063 T6
DESCRIPTION	AIR GRILL SECTION