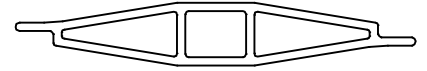
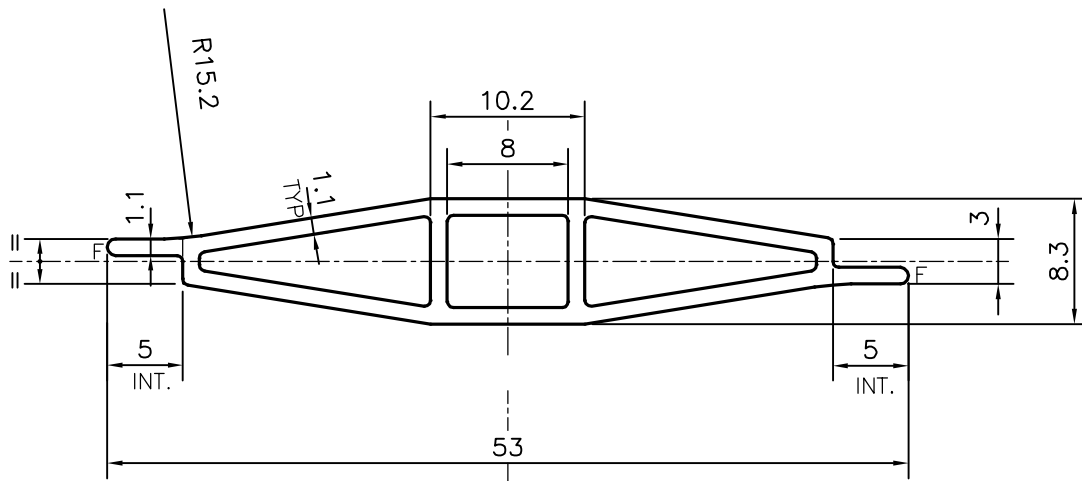


P-14653

26904



1:1



F = FULL RADIUS (2 PLACES)



SYMBOL OF QUALITY
AN ISO 9001 COMPANY

JINDAL ALUMINIUM LTD.
BANGALORE-560073 (INDIA)

	NAME	DATE
DRAWN	J.P.KAUSHIK	18-05-2015
CHECKED		
APPROVED	S.S.GARG	06-07-2015
SCALE		2:1
AREA mm ²		122.314
PERIMETER mm.		111.319
WEIGHT kg/m		0.33
DRAWING No.	SECTION No.	

1. ALL DIMENSIONS ARE IN mm.
2. ROUND OFF ALL SHARP CORNERS WITH 0.40 mm.
3. TOLERANCES WILL BE AS PER, BS:EN-755-9 UNLESS OTHERWISE SPECIFIED

PARTY'S NAME	NOOR AL EYMAN CO., BAHRAIN	P-14653	-
PARTY'S DRAWING No.	AS PER SKETCH	26904	26904
ALLOY & TEMPER	6063 T6		
DESCRIPTION	AIR GRILL SECTION -DAMPER		