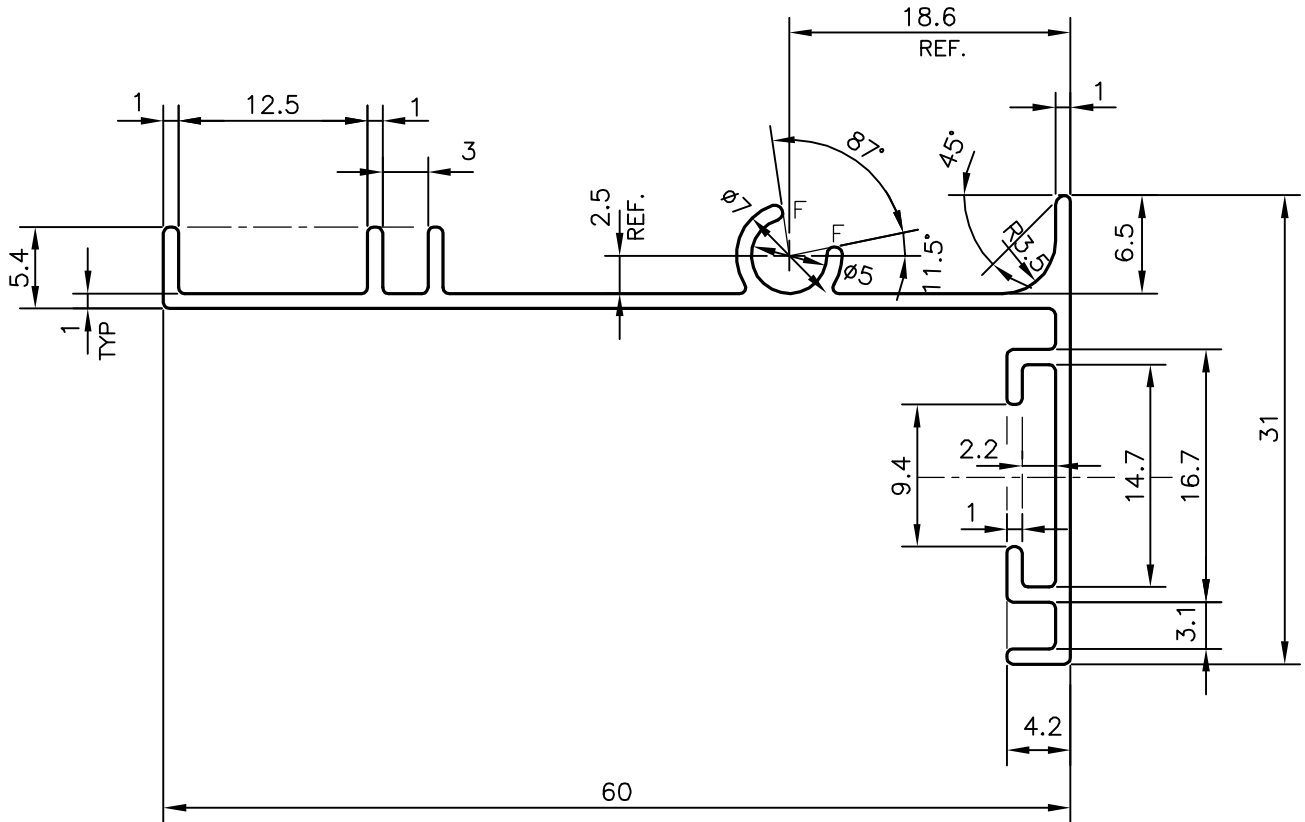
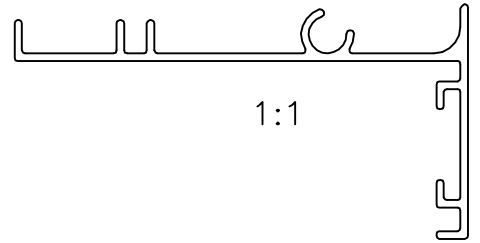


P-14805-2

26906



F = FULL RADIUS (2 PLACES)



SYMBOL OF QUALITY
AN ISO 9001 COMPANY

JINDAL ALUMINIUM LTD.
BANGALORE-560073 (INDIA)

	NAME	DATE
DRAWN	J.P.KAUSHIK	03-07-2015
CHECKED		
APPROVED	S.S.GARG	06-07-2015
SCALE		2:1
AREA mm ²		131.477
PERIMETER mm.		249.103
WEIGHT kg/m		0.355

1. ALL DIMENSIONS ARE IN mm.
2. ROUND OFF ALL SHARP CORNERS WITH 0.4 mm.
3. TOLERANCES WILL BE AS PER BS:EN-755-9 UNLESS OTHERWISE SPECIFIED

PARTY'S NAME	NOOR AL EYMAN CO., BAHRAIN	DRAWING No.	P-14805-2	SECTION No.	
PARTY'S DRAWING No.	AS PER SAMPLE		26906		26906
ALLOY & TEMPER	6063 T6				
DESCRIPTION	AIR GRILL SECTION				