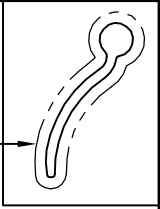
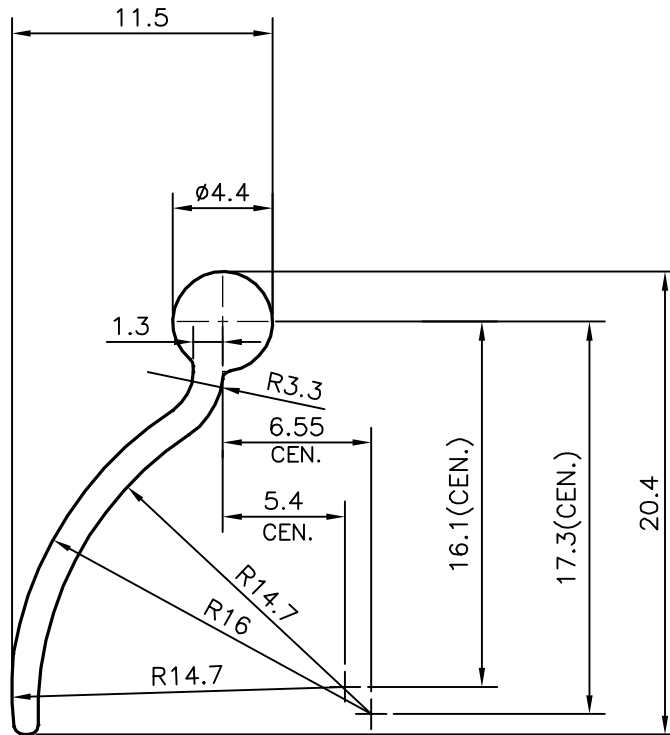


P-14774

26908



EXPOSED SURFACE



SYMBOL OF QUALITY  
AN ISO 9001 COMPANY

**JINDAL ALUMINIUM LTD.**  
BANGALORE-560073 (INDIA)

	NAME	DATE
DRAWN	J.P.KAUSHIK	15-06-2015
CHECKED		
APPROVED	S.S.GARG	06-07-2015

1. ALL DIMENSIONS ARE IN mm.
2. ROUND OFF ALL SHARP CORNERS WITH 0.40 mm.
3. TOLERANCES WILL BE AS PER BS:EN-755-9 UNLESS OTHERWISE SPECIFIED

SCALE	3:1
AREA mm <sup>2</sup>	39.299
PERIMETER mm.	50.981
WEIGHT kg/m	0.106

PARTY'S NAME	DASCO DUCTING & SERVICING CO., KUWAIT
PARTY'S DRAWING No.	14505
ALLOY & TEMPER	6063 T6
DESCRIPTION	AIR GRILL SECTION

DRAWING No.	SECTION No.
P-14774	
26908	26908