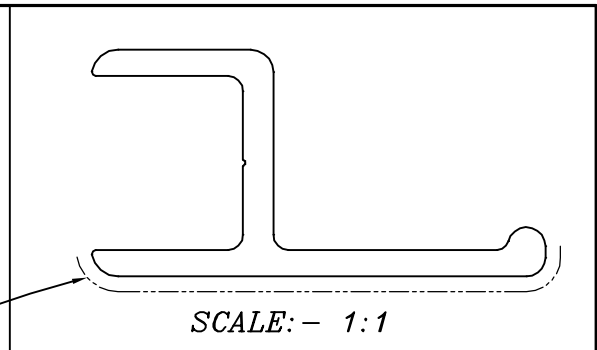


P-13262

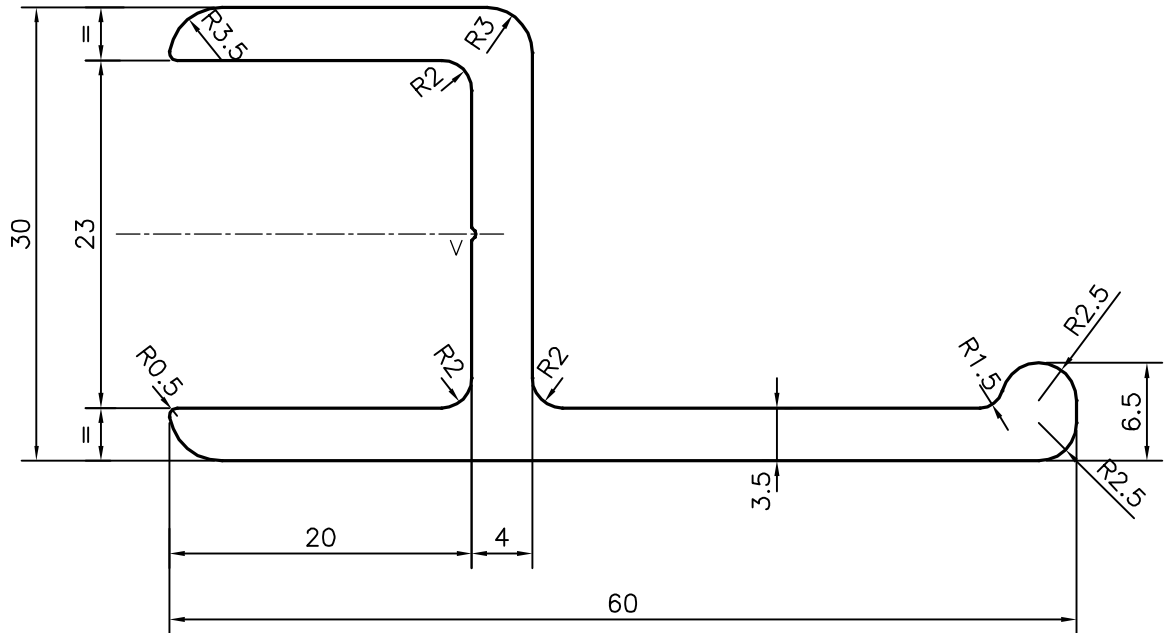
X1720

26922



EXPOSED SURFACE

SCALE: - 1:1



V = VEE GROOVE 0.3x90° (1 PLACE)

TOLERANCES ON OVERALL WIDTHS & WIDTHS ACROSS FLATS OF BARS, & REGULAR SECTIONS

| | | | |
|---------------------|----------------------|----------------------|---|
| UPTO 6.40mm - ±0.20 | UPTO 32.0mm - ±0.38 | UPTO 120.0mm - ±0.85 | 1. STRAIGHTNESS=1.7mm/M 2. TWIST=1.7mm/M 3. ANGULARITY= ±2' 4. FLATNESS =0.007xWIDTH |
| UPTO 10.0mm - ±0.23 | UPTO 50.0mm - ±0.46 | UPTO 160.0mm - ±1.02 | |
| UPTO 12.0mm - ±0.25 | UPTO 60.0mm - ±0.53 | UPTO 200.0mm - ±1.14 | |
| UPTO 16.0mm - ±0.28 | UPTO 80.0mm - ±0.69 | UPTO 250.0mm - ±1.40 | |
| UPTO 25.0mm - ±0.30 | UPTO 100.0mm - ±0.75 | UPTO 300.0mm - ±1.65 | |



SYMBOL OF QUALITY
AN ISO 9001 COMPANY

JINDAL ALUMINIUM LTD.
BANGALORE-560073 (INDIA)

| | | |
|----------|----------|------------|
| | NAME | DATE |
| DRAWN | PARVESH | 14-12-2013 |
| CHECKED | | |
| APPROVED | S.S.GARG | 04-01-2014 |

1. ALL DIMENSIONS ARE IN mm.
2. ROUND OFF ALL SHARP CORNERS WITH 0.50 mm.
3. TOLERANCES WILL BE AS PER IS:3965-1981 , UNLESS OTHERWISE SPECIFIED

| | |
|----------------------|---------|
| SCALE | 2:1 |
| AREA mm ² | 392.708 |
| PERIMETER mm. | 215.259 |
| WEIGHT kg/m | 1.06 |

| | |
|---------------------|-----------------------------------|
| PARTY'S NAME | WILLIAMS REFREGERATION, BANGALORE |
| PARTY'S DRAWING No. | AS PER AUTOCAD DRAWING |
| ALLOY & TEMPER | HE9 WP |
| DESCRIPTION | REFRIGERATION SECTION |

| | |
|-------------|-------------|
| DRAWING No. | SECTION No. |
| P-13262 | - |
| X1720 | X1720 |
| 26922 | 26922 |