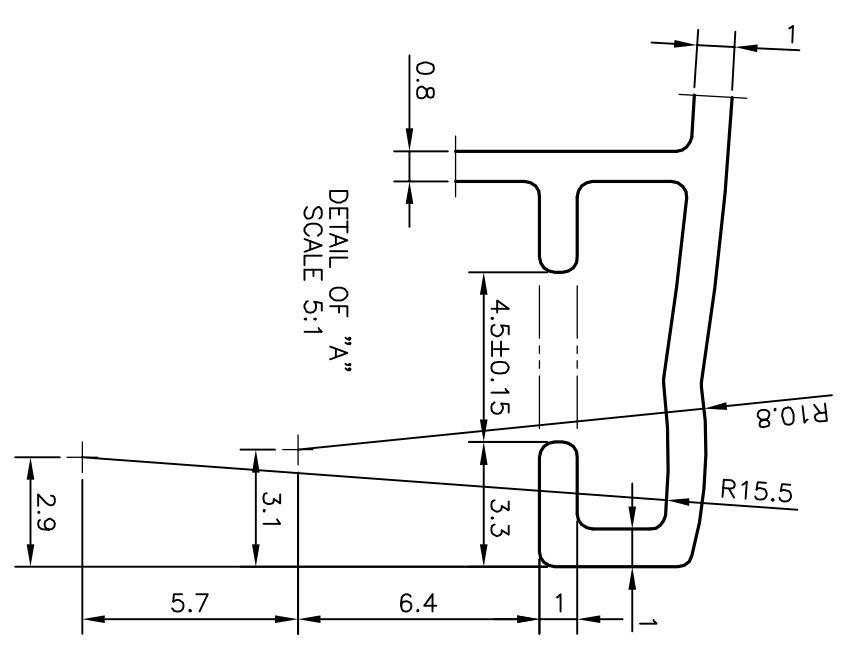
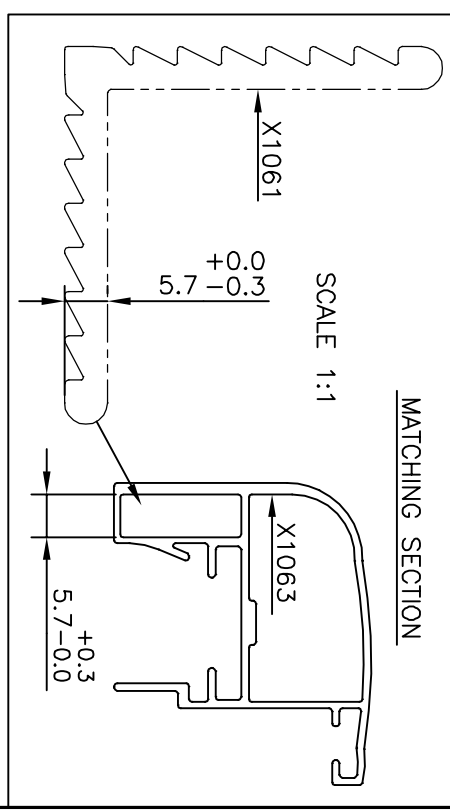
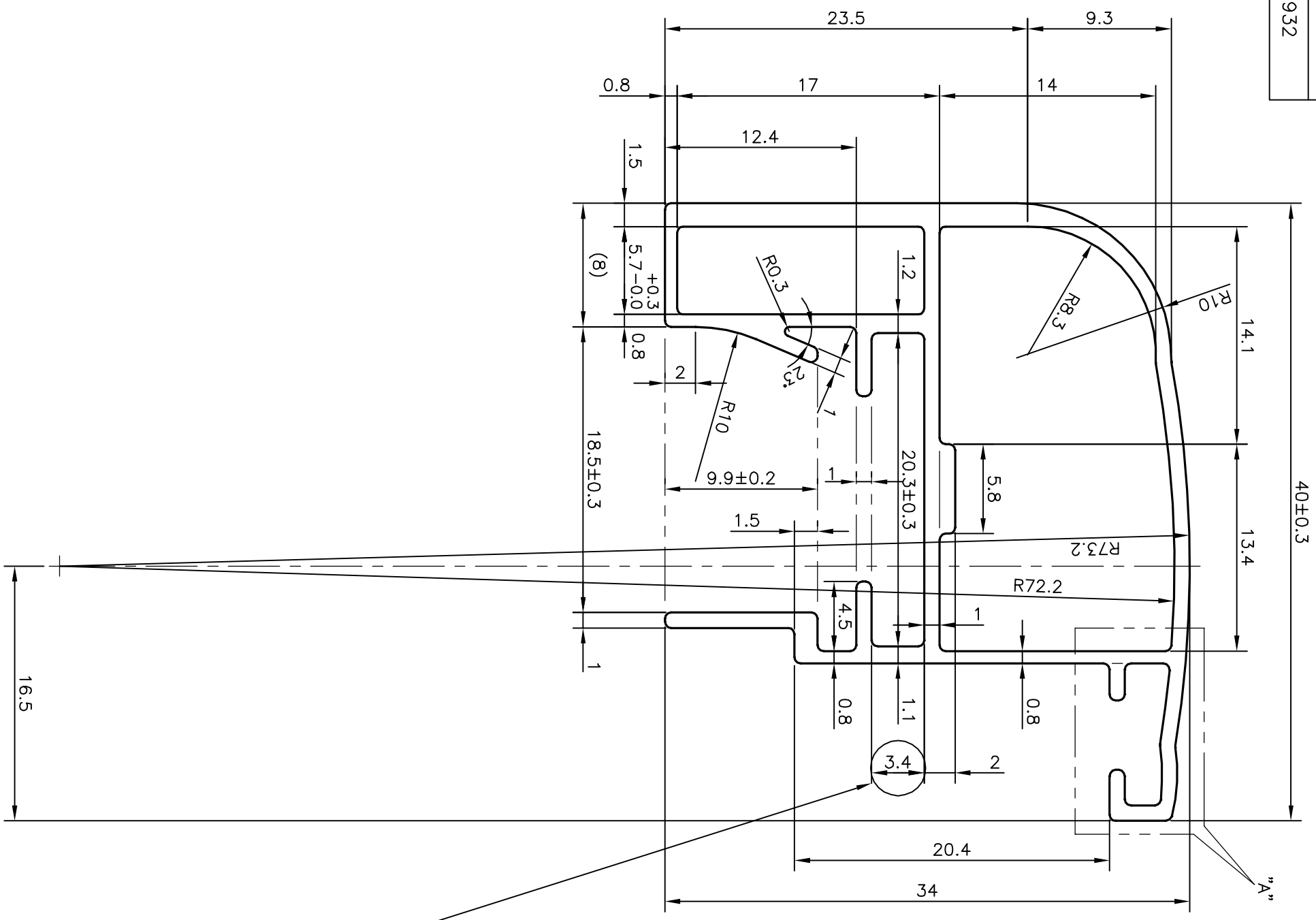



P-8825-2  
X1063  
26932



ISSUE-2 :- DIMENSIONS ADDED ON 13/09/10

 SYMBOL OF QUALITY AN ISO 9001 COMPANY		<b>JINDAL ALUMINIUM LTD.</b> BANGALORE-560073 (INDIA)		DRAWN	NAME	DATE
				CHECKED	J.P.KAUSHIK	13-09-2010
1. ALL DIMENSIONS ARE IN mm. 2. ROUND OFF ALL SHARP CORNERS WITH 0.40 mm. 3. TOLERANCES WILL BE AS PER IS:6477-1983 UNLESS OTHERWISE SPECIFIED		WESTERN REFRIGERATION PVT. LTD., SILVASSA		APPROVED	S.S.GARG	18-08-2011
				SCALE	3:1	
PARTY'S NAME	WESTERN REFRIGERATION PVT. LTD., SILVASSA		AREA	mm <sup>2</sup>	188.798	
PARTY'S DRAWING No.	0302068		PERIMETER	mm.	214.22	
ALLOY & TEMPER	HE9 WP		WEIGHT	kg/m	0.510	
DESCRIPTION	NG ALUMINIUM DOOR PROFILE W/O HANDLE		DRAWING No.	SECTION No.		
	P-8825-2	-				
	X1063	X1063(ISSUE-2)				
	26932	26932				