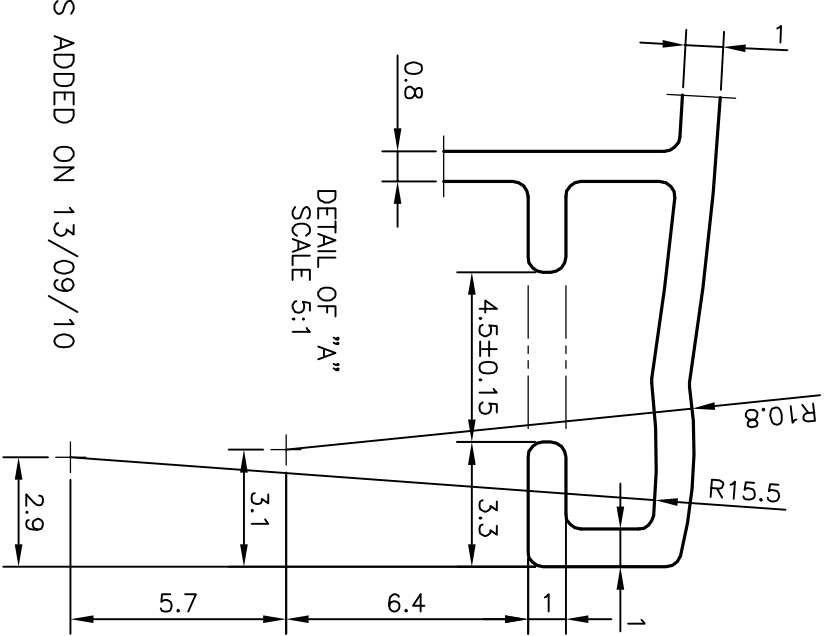
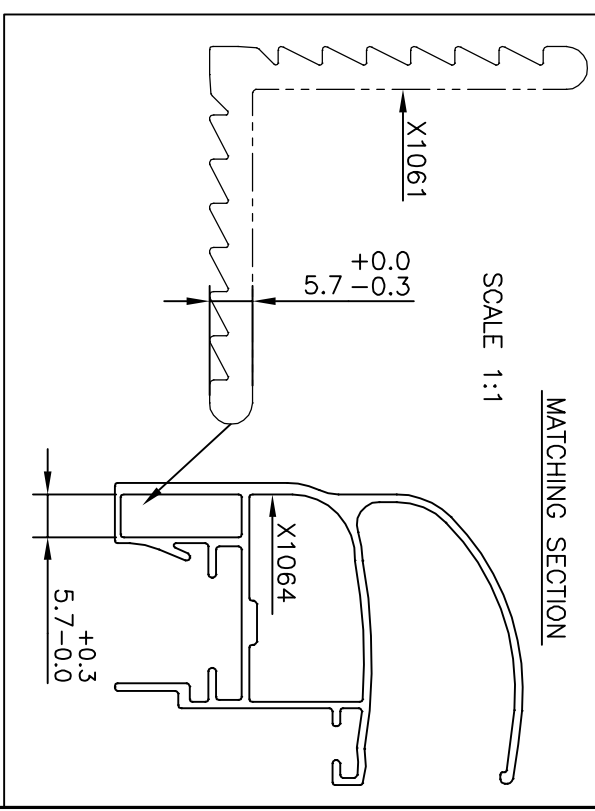
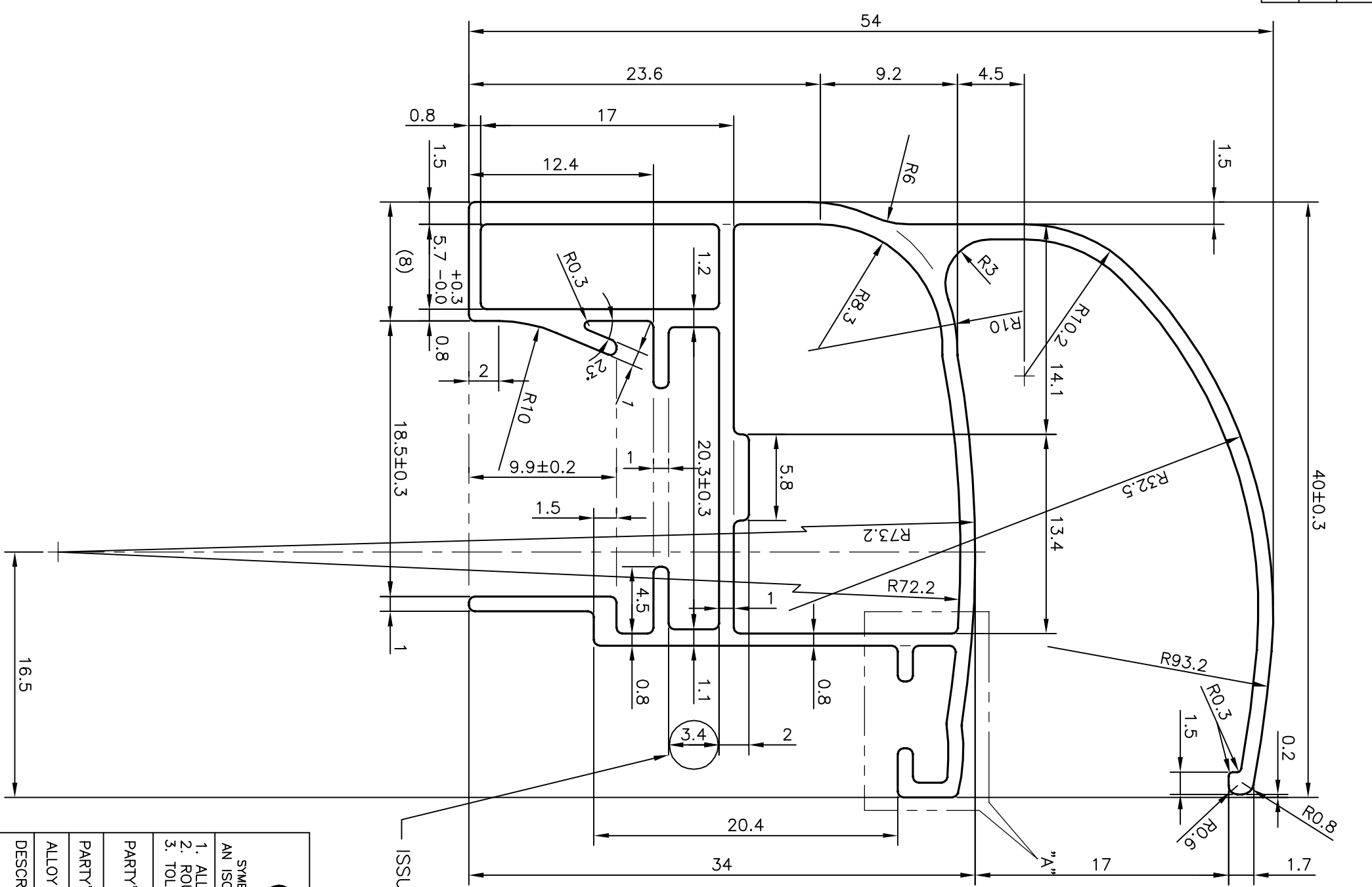


P-8826-2
X1064
26933



ISSUE-2 :- DIMENSIONS ADDED ON 13/09/10

<p>SYMBOL OF QUALITY AN ISO 9001 COMPANY</p>		<p>JINDAL ALUMINIUM LTD. BANGALORE-560073 (INDIA)</p>		DRAWN	NAME	DATE
				CHECKED	J.P. KAUSHIK	13-09-2010
<p>1. ALL DIMENSIONS ARE IN mm. 2. ROUND OFF ALL SHARP CORNERS WITH 0.40 mm. 3. TOLERANCES WILL BE AS PER IS:6477-1983 UNLESS OTHERWISE SPECIFIED</p>		<p>WESTERN REFRIGERATION PVT. LTD., SILVASSA</p>		APPROVED	S.S.GARG	18-08-2011
				SCALE	3:1	
PARTY'S NAME		AREA	mm ²	249.342		
PARTY'S DRAWING No.		PERIMETER	mm.	316.851		
ALLOY & TEMPER		WEIGHT	kg/m	0.673		
DESCRIPTION		DRAWING No.	SECTION No.			
HE9 WP		P-8826-2	-			
NG ALUMINIUM DOOR PROFILE WITH HANDLE		X1064	X1064(ISSUE-2)			
		26933	26933			