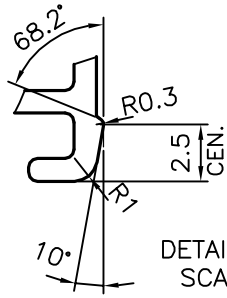
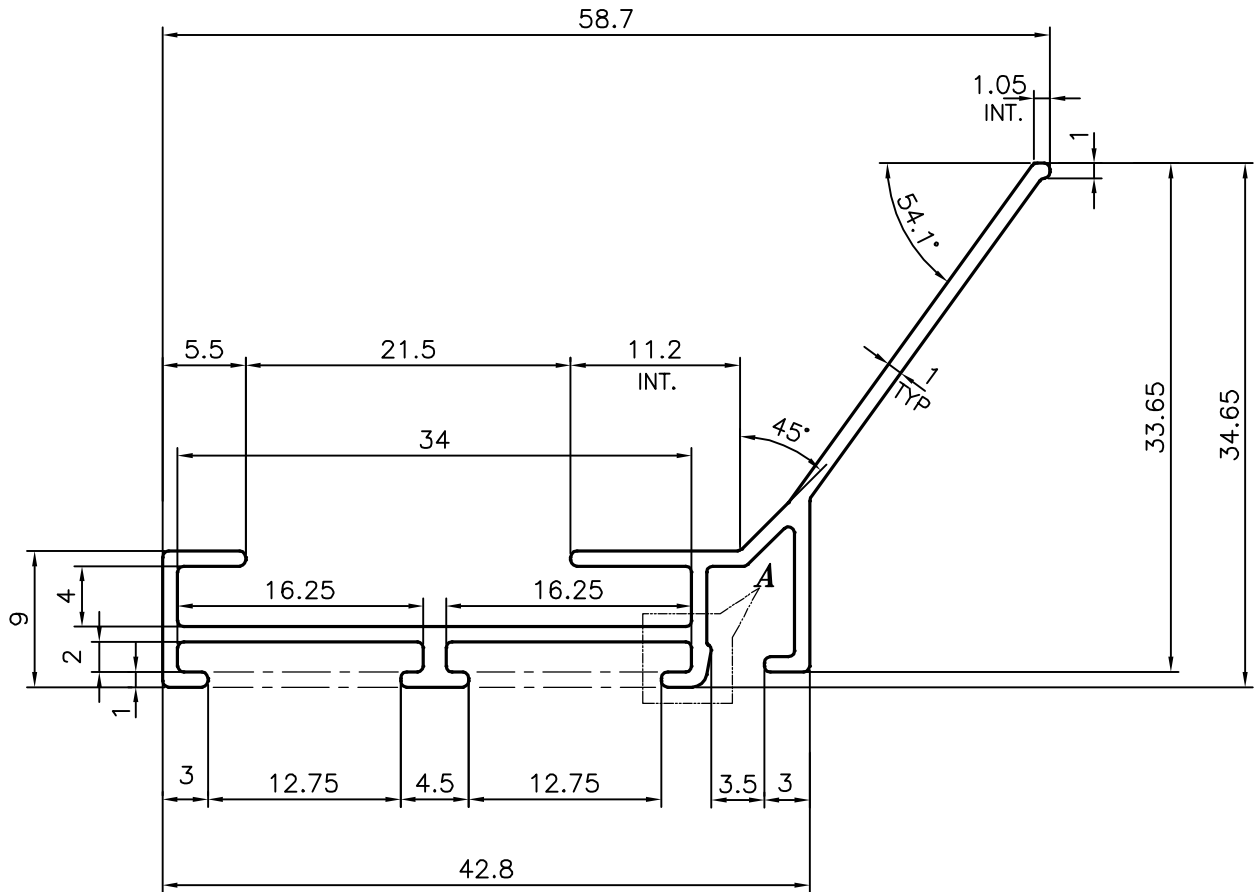
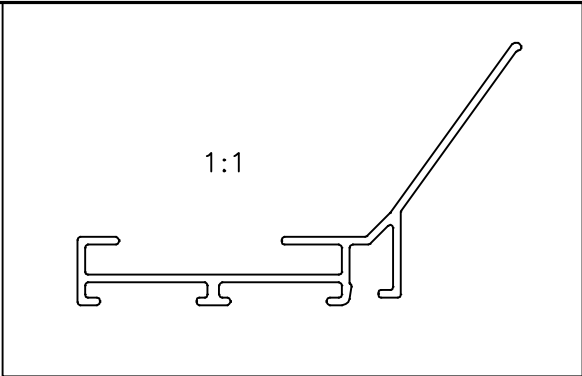


P-16175-1

26938



DETAIL OF "A"  
SCALE 3:1



SYMBOL OF QUALITY  
AN ISO 9002 COMPANY

**JINDAL ALUMINIUM LTD.**  
BANGALORE-560073 (INDIA)

	NAME	DATE
DRAWN	J.P.KAUSHIK	11-08-2016
CHECKED		
APPROVED	S.S. GARG	12-08-2016
SCALE		2:1
AREA mm <sup>2</sup>		124.413
PERIMETER mm.		239.959
WEIGHT kg/m		0.336
DRAWING No.	SECTION No.	
P-16175-1	-	
26938	26938	

1. ALL DIMENSIONS ARE IN mm.
2. ROUND OFF ALL SHARP CORNERS WITH 0.40 mm.
3. TOLERANCES WILL BE AS PER BS:EN-755-9, UNLESS OTHERWISE SPECIFIED

PARTY'S NAME	KBE INTERNATIONAL SAL, LEBANON MIDDLE EAST
PARTY'S DRAWING No.	AS PER AutoCAD DRAWING-LFB-2
ALLOY & TEMPER	6063 T6
DESCRIPTION	AIR GRILL SECTION