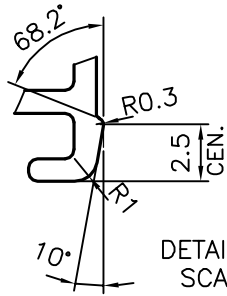
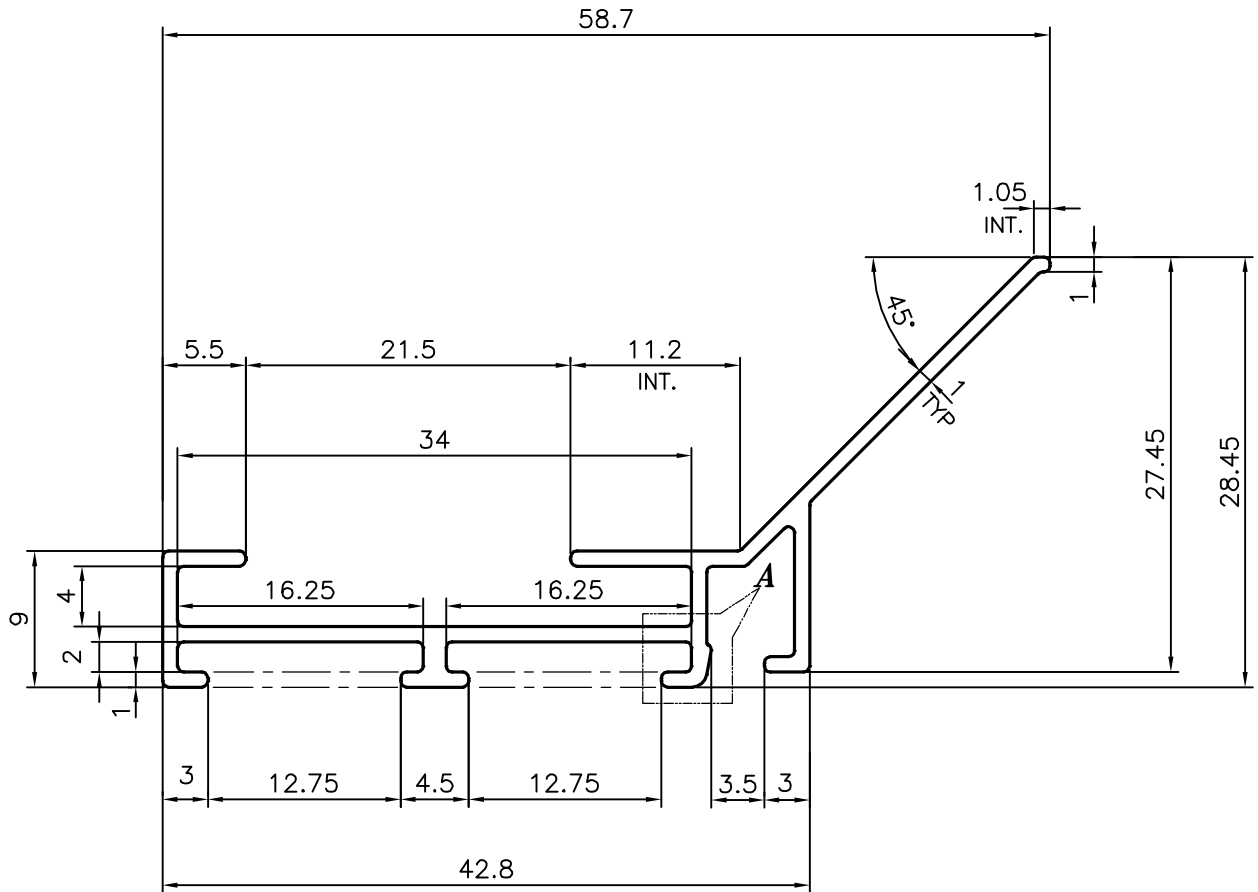
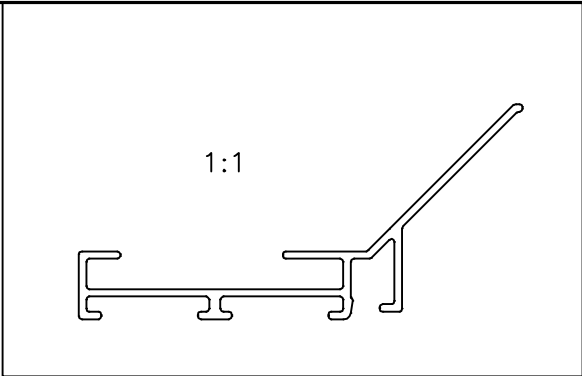


P-16176-1

26939



DETAIL OF "A"
SCALE 3:1



SYMBOL OF QUALITY
AN ISO 9002 COMPANY

JINDAL ALUMINIUM LTD.
BANGALORE-560073 (INDIA)

	NAME	DATE
DRAWN	J.P.KAUSHIK	11-08-2016
CHECKED		
APPROVED	S.S. GARG	12-08-2016
SCALE		2:1
AREA mm ²		119.62
PERIMETER mm.		230.489
WEIGHT kg/m		0.323
DRAWING No.	SECTION No.	
P-16176-1	-	
26939	26939	

1. ALL DIMENSIONS ARE IN mm.
2. ROUND OFF ALL SHARP CORNERS WITH 0.40 mm.
3. TOLERANCES WILL BE AS PER BS:EN-755-9, UNLESS OTHERWISE SPECIFIED

PARTY'S NAME	KBE INTERNATIONAL SAL, LEBANON MIDDLE EAST
PARTY'S DRAWING No.	AS PER AutoCAD DRAWING-LFB-1.5
ALLOY & TEMPER	6063 T6
DESCRIPTION	AIR GRILL SECTION