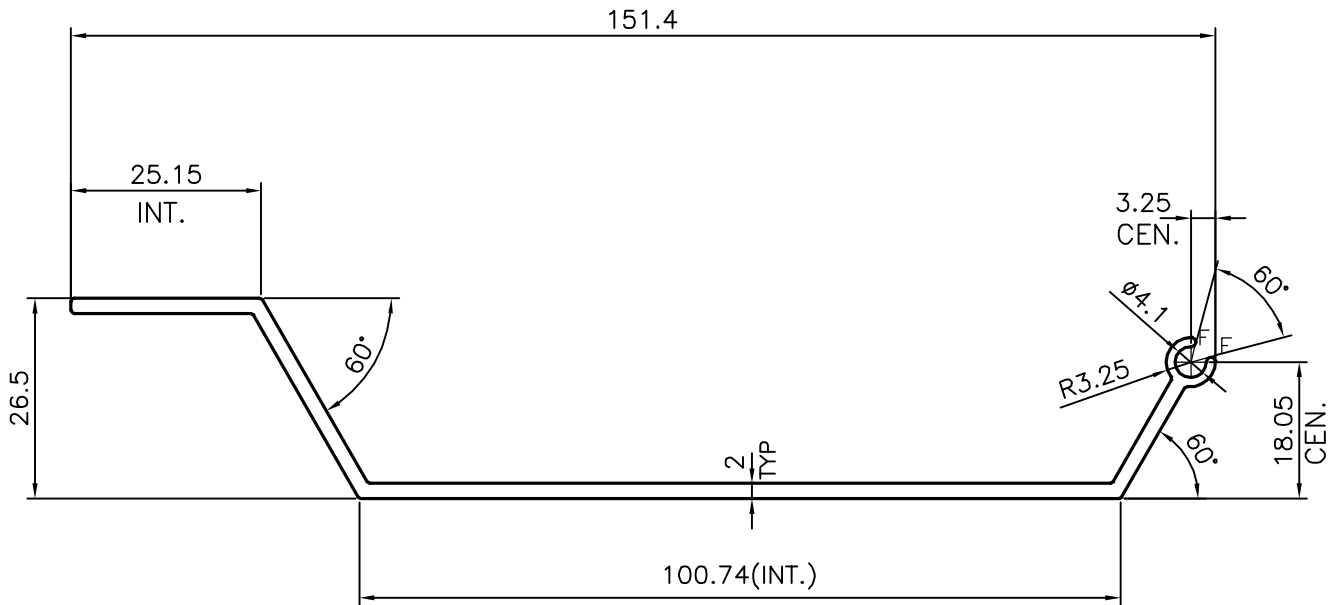
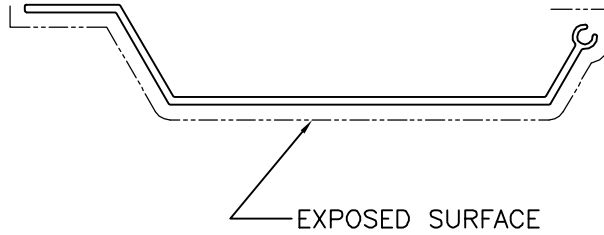


P-16136

26940



F = FULL RADIUS (2 PLACES)



SYMBOL OF QUALITY
AN ISO 9002 COMPANY

JINDAL ALUMINIUM LTD.
BANGALORE-560073 (INDIA)

	NAME	DATE
DRAWN	J.P.KAUSHIK	30-07-2016
CHECKED		
APPROVED	S.S. GARG	23-08-2016
SCALE		1:1
AREA	mm ²	354.166
PERIMETER	mm.	366.414
WEIGHT	kg/m	0.956
DRAWING No.	SECTION No.	
P-16136	-	
26940	26940	

1. ALL DIMENSIONS ARE IN mm. 2. ROUND OFF ALL SHARP CORNERS WITH 0.40 mm. 3. TOLERANCES WILL BE AS PER BS:EN-755-9, UNLESS OTHERWISE SPECIFIED	
PARTY'S NAME	KBE INTERNATIONAL SAL, LEBANON MIDDLE EAST
PARTY'S DRAWING No.	1497
ALLOY & TEMPER	6063 T6
DESCRIPTION	AIR GRILL SECTION