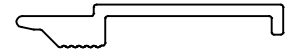
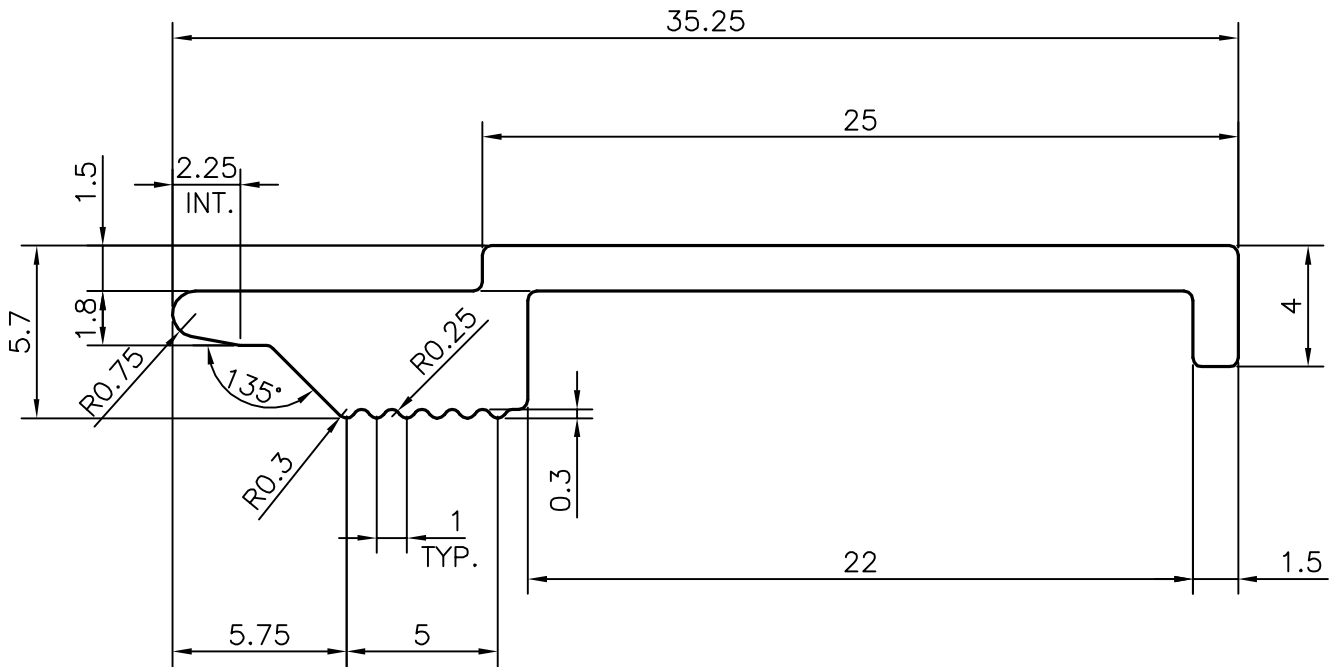


P-16178

26943



SCALE 1:1



COMMON RADIUS WILL BE 0.30mm UNLESS OTHERWISE SPECIFIED.



SYMBOL OF QUALITY
AN ISO 9001 COMPANY

JINDAL ALUMINIUM LTD.
BANGALORE-560073 (INDIA)

	NAME	DATE
DRAWN	KIRAN	11-08-2016
CHECKED		
APPROVED	S.S. GARG	23-08-2016
SCALE		4:1
AREA	mm ²	78.314
PERIMETER	mm.	84.433
WEIGHT	kg/m	0.211
DRAWING No.	SECTION No.	
P-16178		
26943	26943	

1. ALL DIMENSIONS ARE IN mm. 2. ROUND OFF ALL SHARP CORNERS WITH 0.40 mm. 3. TOLERANCES WILL BE AS PER EN:755/9, UNLESS OTHERWISE SPECIFIED	
PARTY'S NAME	KBE INTERNATIONAL, LEBANON MIDDLE EAST
PARTY'S DRAWING No.	AS PER DRAWING
ALLOY & TEMPER	6063 T6
DESCRIPTION	MISC. SECTION