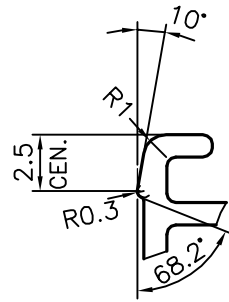
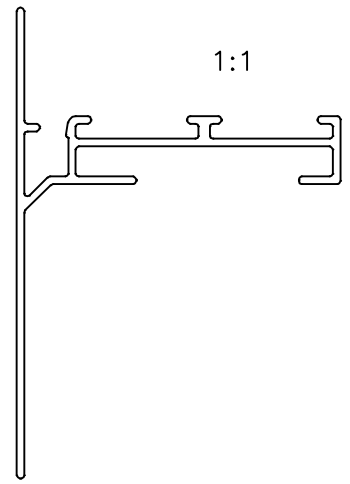


P-16256

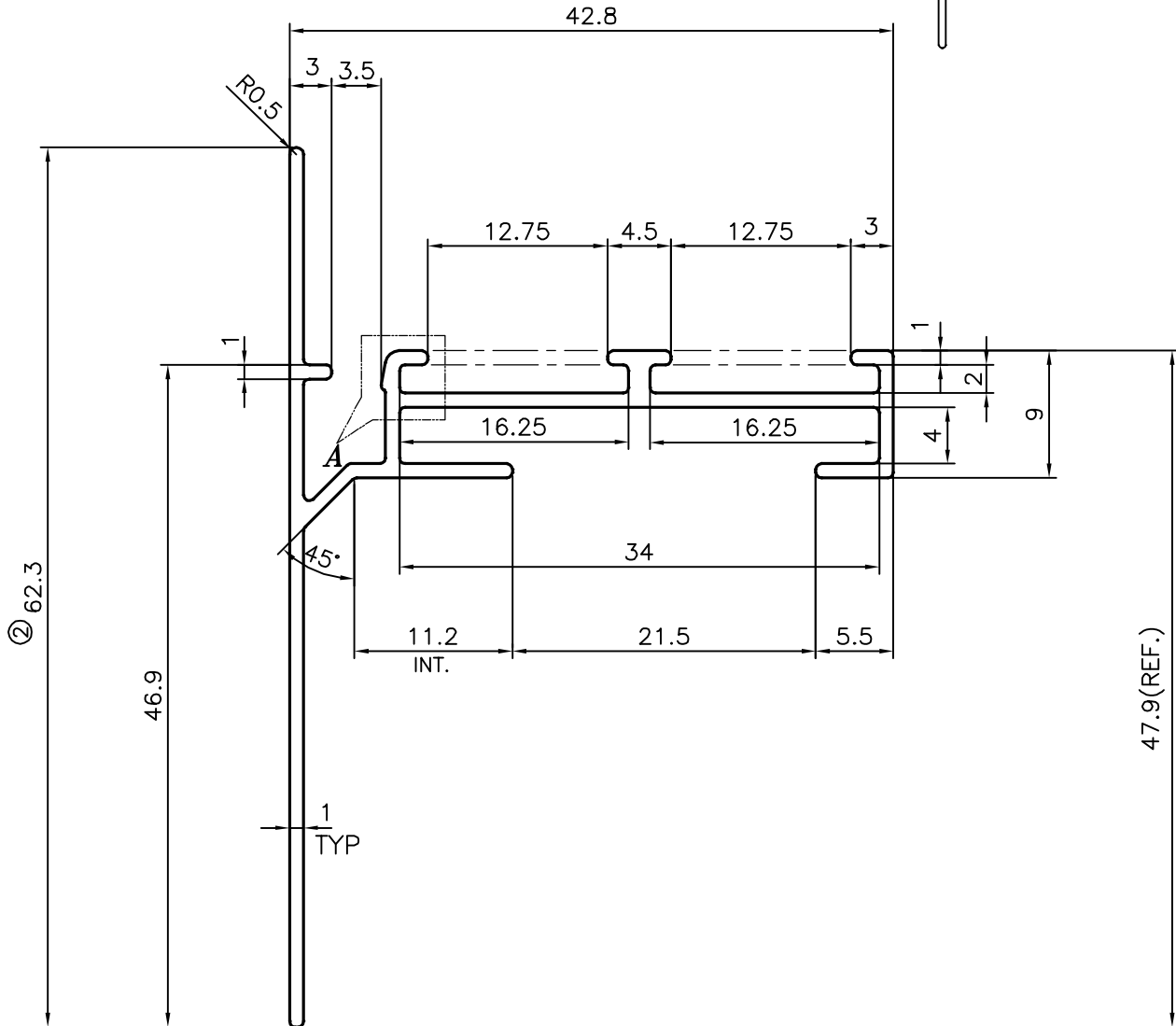
26945



DETAIL OF "A"  
SCALE 3:1



1:1



ISSUE-2

DIMENSIONS CHANGED FROM 60.3 TO 62.3 mm

WEIGHT ALSO CHANGED FROM 0.393 kg/m TO 0.399 kg/m



SYMBOL OF QUALITY  
AN ISO 9002 COMPANY

**JINDAL ALUMINIUM LTD.**  
BANGALORE-560073 (INDIA)

	NAME	DATE
DRAWN	J.P.KAUSHIK	24-10-2016
CHECKED		
APPROVED	B.NATARAJ	26-10-2016

1. ALL DIMENSIONS ARE IN mm.
2. ROUND OFF ALL SHARP CORNERS WITH 0.40 mm.
3. TOLERANCES WILL BE AS PER BS:EN-755-9, UNLESS OTHERWISE SPECIFIED

SCALE	2:1
AREA mm <sup>2</sup>	147.641
PERIMETER mm.	286.214
WEIGHT kg/m	0.399

PARTY'S NAME	KBE INTERNATIONAL SAL, LEBANON MIDDLE EAST	DRAWING No.	P-16256	SECTION No.	-
PARTY'S DRAWING No.	AS PER AutoCAD DRAWING-1458		26945		26945(ISSUE-2)
ALLOY & TEMPER	6063 T6				
DESCRIPTION	AIR GRILL SECTION				