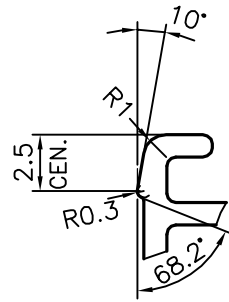
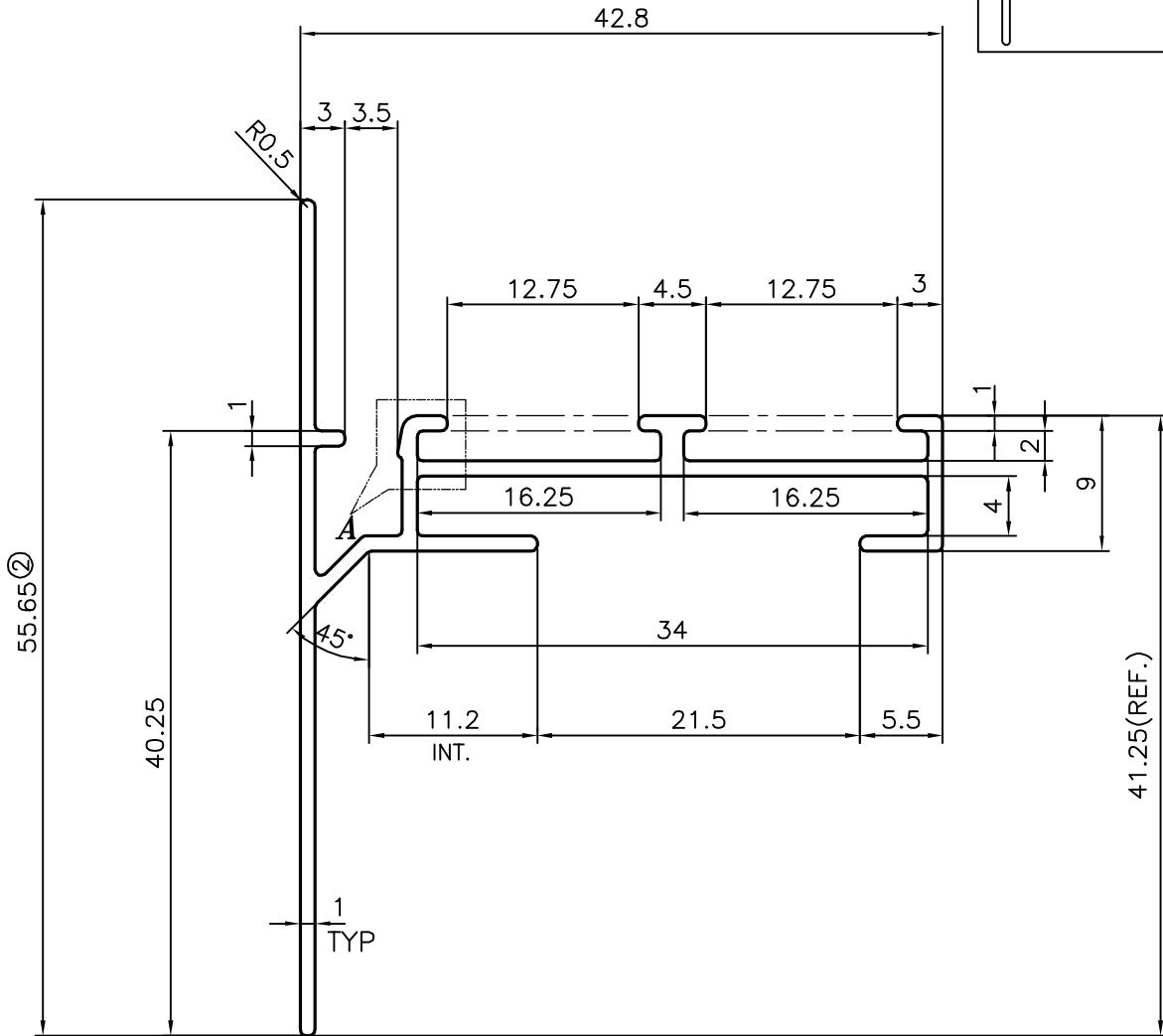
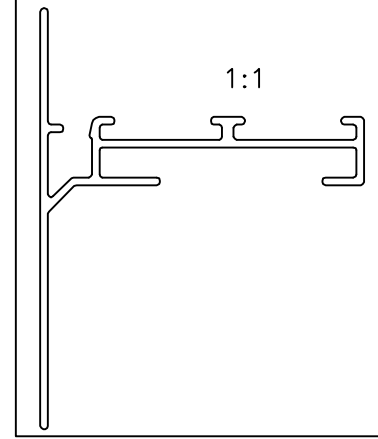


P-16258

26947



DETAIL OF "A"
SCALE 3:1



ISSUE-2

DIMENSIONS CHANGED FROM 53.65 TO 55.65 mm

WEIGHT ALSO CHANGED FROM 0.375 kg/m TO 0.381 kg/m



SYMBOL OF QUALITY
AN ISO 9002 COMPANY

JINDAL ALUMINIUM LTD.
BANGALORE-560073 (INDIA)

	NAME	DATE
DRAWN	J.P.KAUSHIK	24-10-2016
CHECKED		
APPROVED	B.NATARAJ	26-10-2016
SCALE		2:1
AREA mm ²		140.991
PERIMETER mm.		272.914
WEIGHT kg/m		0.381
DRAWING No.	SECTION No.	
P-16258	-	
26947	26947(ISSUE-2)	

1. ALL DIMENSIONS ARE IN mm. 2. ROUND OFF ALL SHARP CORNERS WITH 0.40 mm. 3. TOLERANCES WILL BE AS PER BS:EN-755-9, UNLESS OTHERWISE SPECIFIED	
PARTY'S NAME	KBE INTERNATIONAL SAL, LEBANON MIDDLE EAST
PARTY'S DRAWING No.	AS PER AutoCAD DRAWING-2797
ALLOY & TEMPER	6063 T6
DESCRIPTION	AIR GRILL SECTION