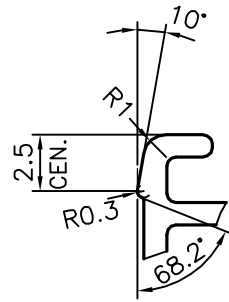
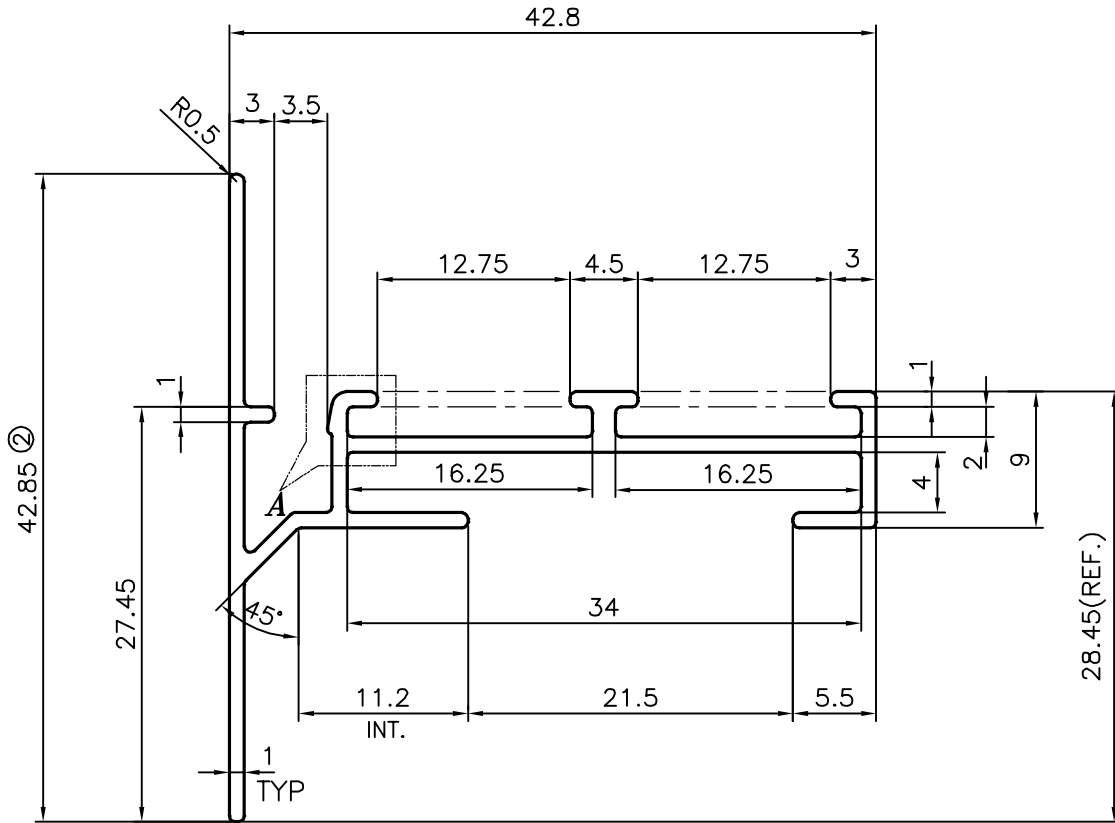
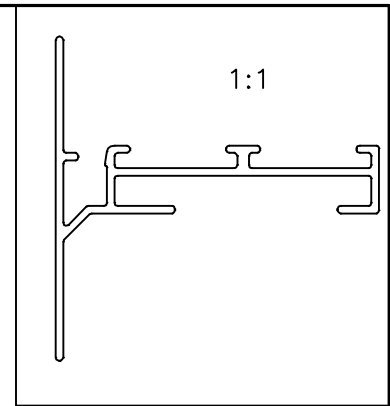


P-16259

26948



DETAIL OF "A"  
SCALE 3:1



**ISSUE-2**

DIMENSIONS CHANGED FROM 40.85 TO 42.85 mm

WEIGHT ALSO CHANGED FROM 0.341 kg/m TO 0.346 kg/m



SYMBOL OF QUALITY  
AN ISO 9002 COMPANY

**JINDAL ALUMINIUM LTD.**  
BANGALORE-560073 (INDIA)

	NAME	DATE
DRAWN	J.P.KAUSHIK	24-10-2016
CHECKED		
APPROVED	B.NATARAJ	26-10-2016

1. ALL DIMENSIONS ARE IN mm.
2. ROUND OFF ALL SHARP CORNERS WITH 0.40 mm.
3. TOLERANCES WILL BE AS PER BS:EN-755-9, UNLESS OTHERWISE SPECIFIED

SCALE	2:1
AREA mm <sup>2</sup>	128.191
PERIMETER mm.	247.314
WEIGHT kg/m	0.346

PARTY'S NAME	KBE INTERNATIONAL SAL, LEBANON MIDDLE EAST
PARTY'S DRAWING No.	AS PER AutoCAD DRAWING-1459
ALLOY & TEMPER	6063 T6
DESCRIPTION	AIR GRILL SECTION

DRAWING No.	SECTION No.
P-16259	-
26948	26948(ISSUE-2)