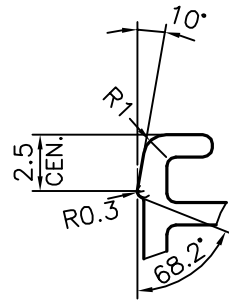
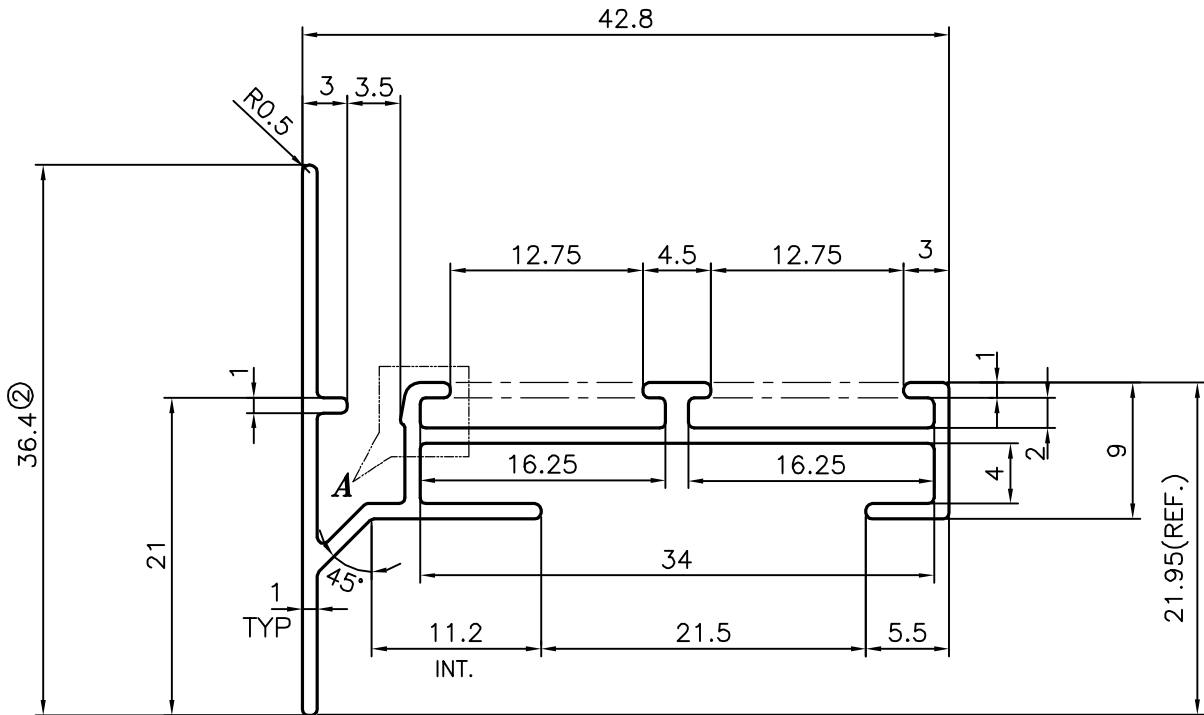
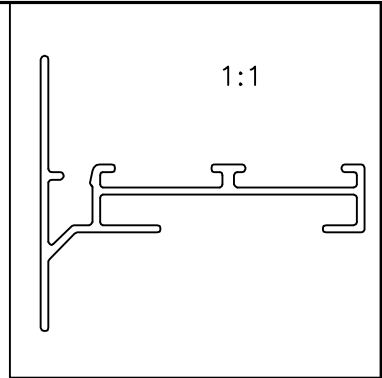


P-16260

26949



DETAIL OF "A"  
SCALE 3:1



**ISSUE-2**

DIMENSIONS CHANGED FROM 34.4 TO 36.4 mm

WEIGHT ALSO CHANGED FROM 0.323 kg/m TO 0.329 kg/m



SYMBOL OF QUALITY  
AN ISO 9002 COMPANY

**JINDAL ALUMINIUM LTD.**  
BANGALORE-560073 (INDIA)

	NAME	DATE
DRAWN	J.P.KAUSHIK	24-10-2016
CHECKED		
APPROVED	B.NATARAJ	26-10-2016
SCALE		2:1
AREA	mm <sup>2</sup>	121.741
PERIMETER	mm.	234.414
WEIGHT	kg/m	0.329
DRAWING No.	SECTION No.	
P-16260	-	
26949	26949(ISSUE-2)	

1. ALL DIMENSIONS ARE IN mm. 2. ROUND OFF ALL SHARP CORNERS WITH 0.40 mm. 3. TOLERANCES WILL BE AS PER BS:EN-755-9, UNLESS OTHERWISE SPECIFIED	
PARTY'S NAME	KBE INTERNATIONAL SAL, LEBANON MIDDLE EAST
PARTY'S DRAWING No.	AS PER AutoCAD DRAWING-11406
ALLOY & TEMPER	6063 T6
DESCRIPTION	AIR GRILL SECTION