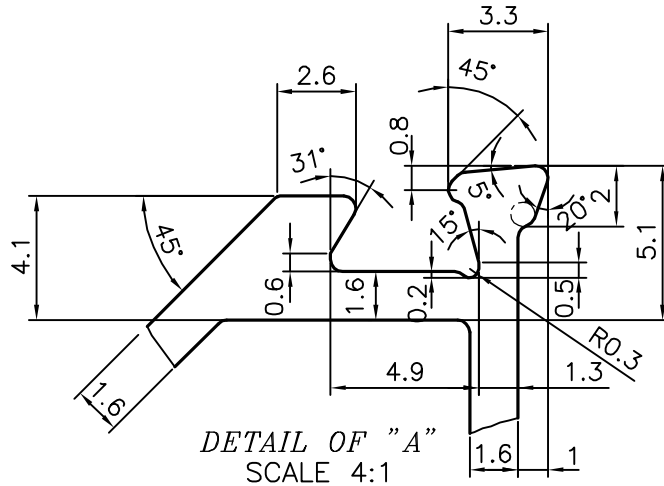


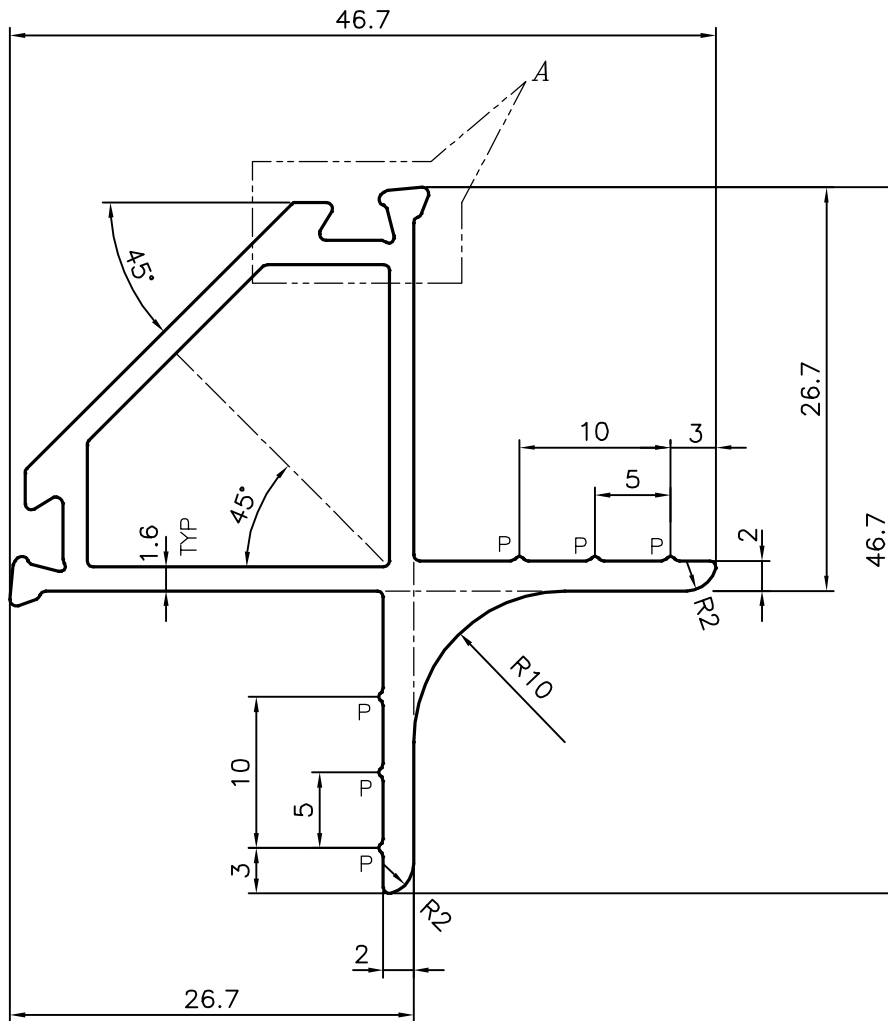
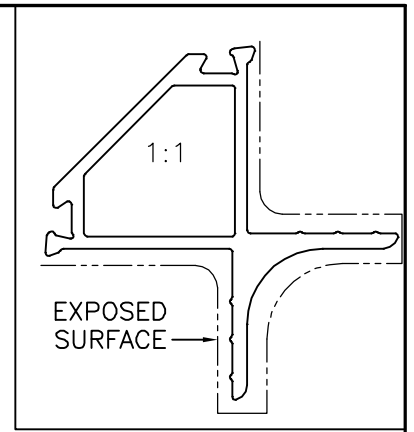
P-15113-1

S4700

26961



DETAIL OF "A"  
SCALE 4:1



P = PIP 0.3x90° ( 6 PLACES)



SYMBOL OF QUALITY  
AN ISO 9001 COMPANY

**JINDAL ALUMINIUM LTD.**  
BANGALORE-560073 (INDIA)

	NAME	DATE
DRAWN	J.P.KAUSHIK	23-09-2015
CHECKED		
APPROVED	S.S.GARG	03-10-2015
SCALE		2:1
AREA mm <sup>2</sup>		259.398
PERIMETER mm.		186.56
WEIGHT kg/m		0.700
DRAWING No.	SECTION No.	
P-15113-1	-	
S4700	S4700	
26961	26961	

1. ALL DIMENSIONS ARE IN mm.
2. ROUND OFF ALL SHARP CORNERS WITH 0.40 mm.
3. TOLERANCES WILL BE AS PER IS:6477-1983, UNLESS OTHERWISE SPECIFIED

PARTY'S NAME	VIVANT SOLUTION PVT. LTD., CHENNAI
PARTY'S DRAWING No.	PART No:- VIV-0015
ALLOY & TEMPER	HE9 WP
DESCRIPTION	AIR GRILL SECTION