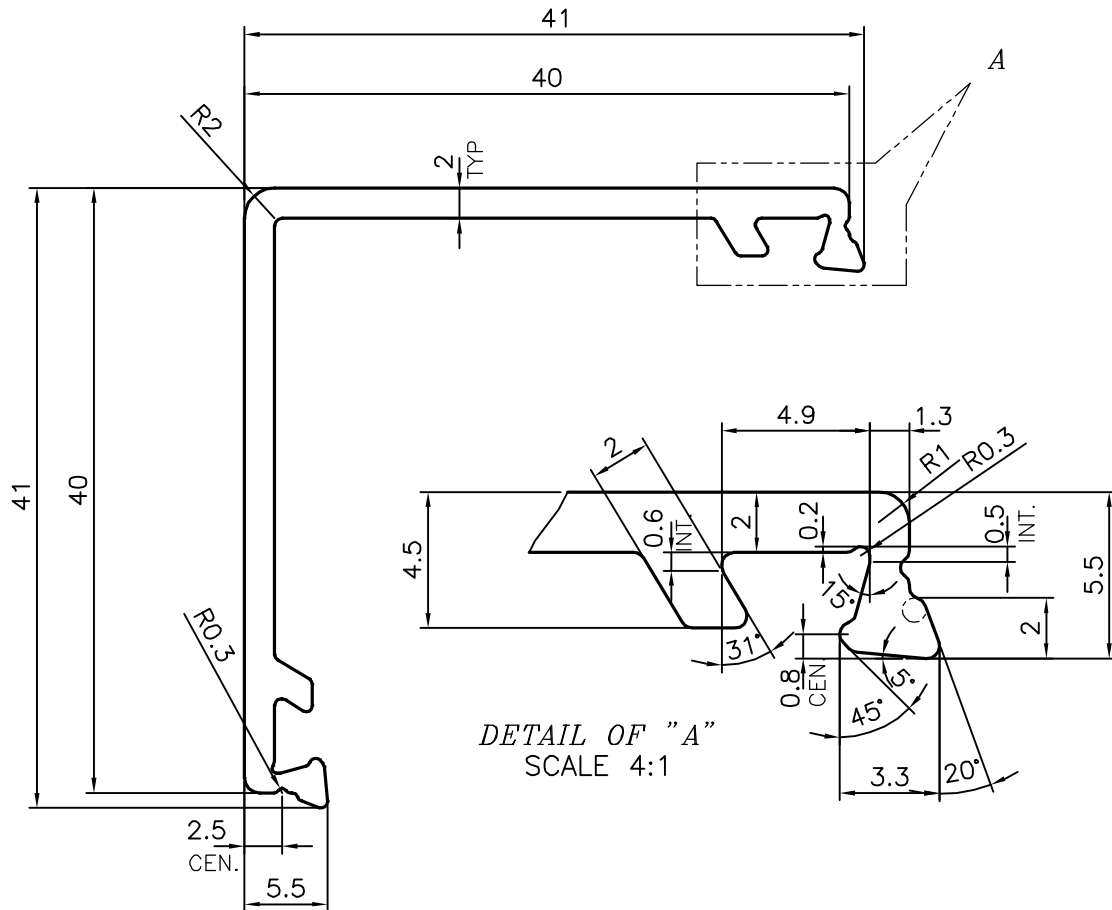
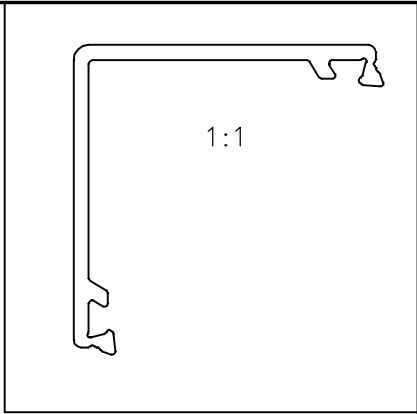



P-16480
S5158
26980



DETAIL OF "A"  
SCALE 4:1

TOLERANCES ON OVERALL WIDTHS & WIDTHS ACROSS FLATS OF BARS, & REGULAR SECTIONS

UPTO 6.40mm - ±0.20	UPTO 32.0mm - ±0.38	UPTO 120.0mm - ±0.85	UPTO 320.00mm - ±1.70
UPTO 10.0mm - ±0.23	UPTO 50.0mm - ±0.46	UPTO 160.0mm - ±1.02	
UPTO 12.0mm - ±0.25	UPTO 60.0mm - ±0.53	UPTO 200.0mm - ±1.14	
UPTO 16.0mm - ±0.28	UPTO 80.0mm - ±0.69	UPTO 250.0mm - ±1.40	
UPTO 25.0mm - ±0.30	UPTO 100.0mm - ±0.75	UPTO 300.0mm - ±1.65	

 SYMBOL OF QUALITY AN ISO 9001 COMPANY	<b>JINDAL ALUMINIUM LTD.</b> BANGALORE-560073 (INDIA)	DRAWN	J.P.KAUSHIK	DATE	26-10-2016
		CHECKED			
1. ALL DIMENSIONS ARE IN mm. 2. ROUND OFF ALL SHARP CORNERS WITH 0.40 mm. 3. TOLERANCES WILL BE AS PER IS:3965-1981, UNLESS OTHERWISE SPECIFIED		APPROVED	B.NATARAJ		03-11-2016
		SCALE			2:1
PARTY'S NAME VIVANT SOLUTION PVT. LTD., CHENNAI		AREA	mm <sup>2</sup>		180.718
		PERIMETER	mm.		185.756
PARTY'S DRAWING No. AS PER DRAWING-VS148-250		WEIGHT	kg/m		0.488
		DRAWING No.		SECTION No.	
ALLOY & TEMPER 6063 T6		P-16480			
		S5158		S5158	
DESCRIPTION AIR GRILL SECTION		26980		26980	