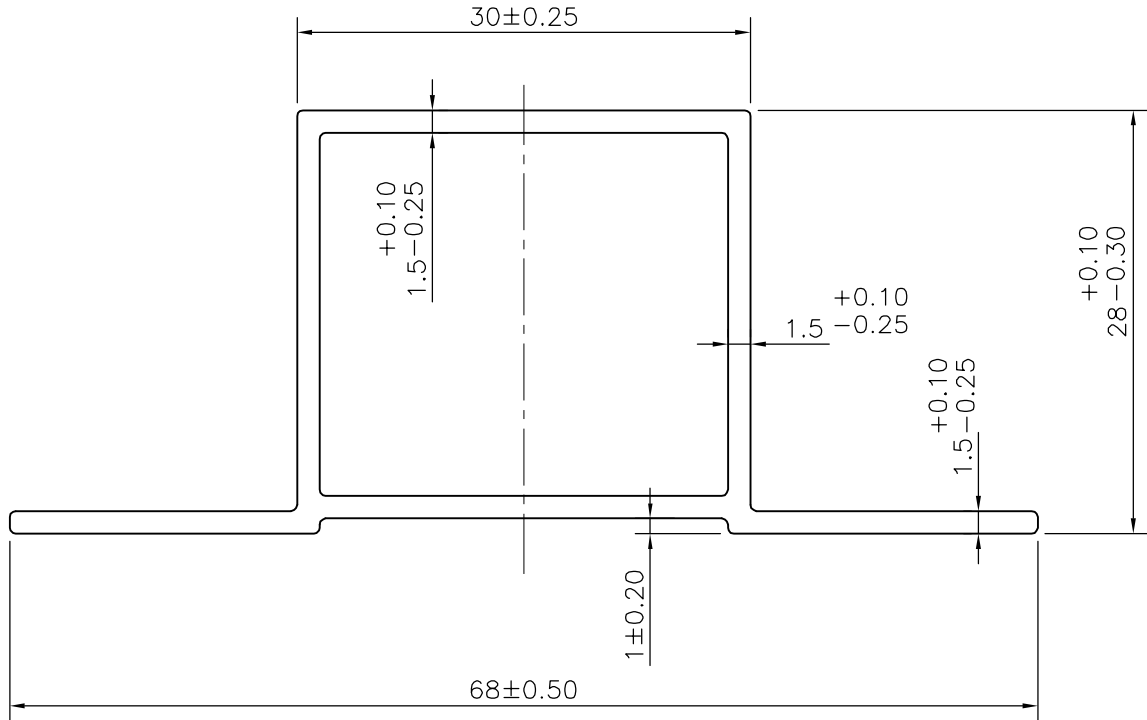
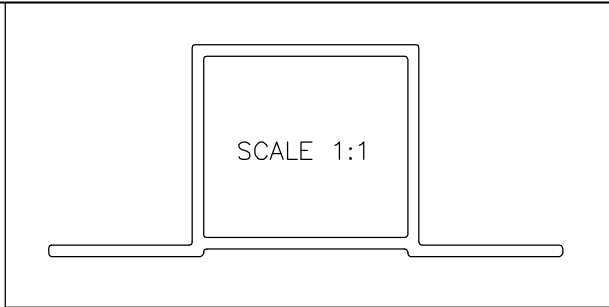



P-15908-1
S4989
26986



1. STRAIGHTNESS=1.25mm/M
2. TWIST=1.25m/M
3. ANGULARITY= ±1.5°
4. FLATNESS =0.15mm/30mm
5. UNSPECIFIED TOLERANCES = ±0.20mm

 SYMBOL OF QUALITY AN ISO 9001 COMPANY	<b>JINDAL ALUMINIUM LTD.</b> BANGALORE-560073 (INDIA)	NAME		DATE	
		DRAWN	RAGHAVENDRA	09-06-2016	
1. ALL DIMENSIONS ARE IN mm. 2. ROUND OFF ALL SHARP CORNERS WITH 0.40 mm. 3. TOLERANCES WILL BE AS PER IS:6477-1983, UNLESS OTHERWISE SPECIFIED		CHECKED			
		APPROVED	S.S. GARG	29-06-2016	
PARTY'S NAME		ZECO AIRCON LTD., KOLAR		SCALE	2:1
		PARTY'S DRAWING No.		AS PER DRAWING	AREA mm <sup>2</sup>
ALLOY & TEMPER		6063 T6		PERIMETER mm.	191.94
		DESCRIPTION		AIR GRILL SECTION	WEIGHT kg/m
				DRAWING No.	SECTION No.
				P-15908-1	-
				S4989	S4989
				26986	26986