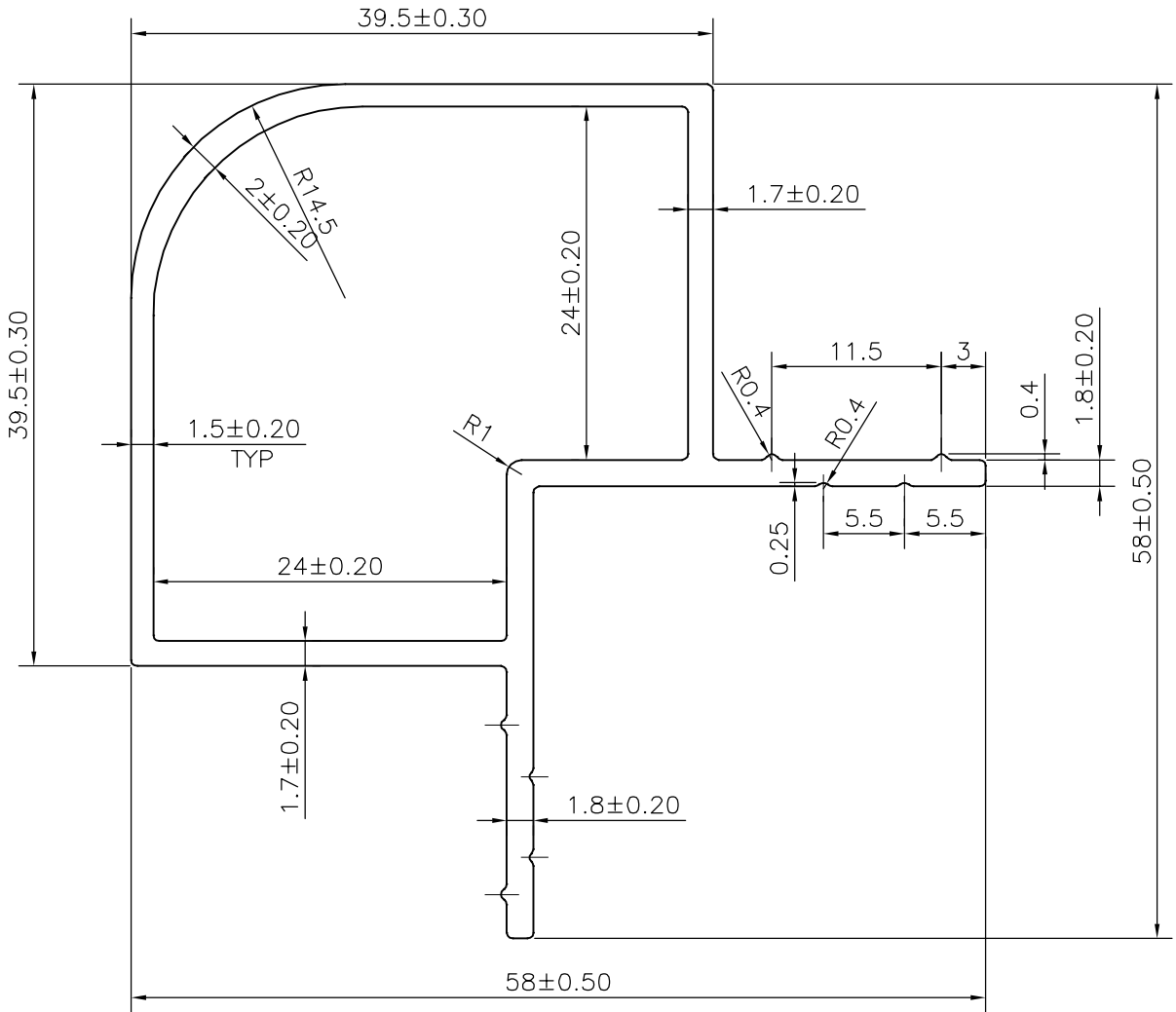
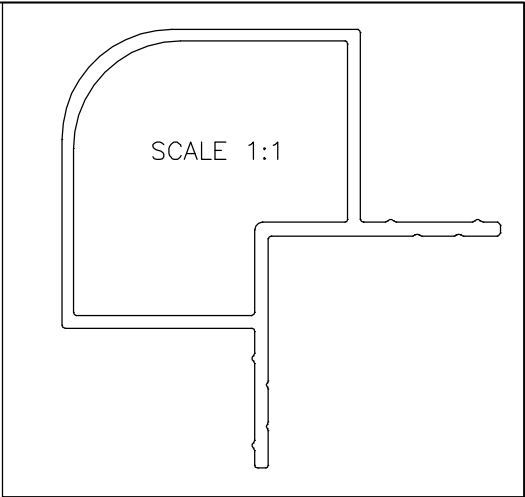


P-15909-1

S4990

26987

1. STRAIGHTNESS=1.25mm/M
2. TWIST=1.25m/M
3. ANGULARITY= ±1.5°
4. FLATNESS =0.15mm/30mm
5. UNSPECIFIED TOLERANCES = ±0.20mm



SYMBOL OF QUALITY
AN ISO 9001 COMPANY

JINDAL ALUMINIUM LTD.
BANGALORE-560073 (INDIA)

	NAME	DATE
DRAWN	RAGHAVENDRA	09-06-2016
CHECKED		
APPROVED	S.S. GARG	29-06-2016

1. ALL DIMENSIONS ARE IN mm.
2. ROUND OFF ALL SHARP CORNERS WITH 0.40 mm.
3. TOLERANCES WILL BE AS PER IS:6477-1983, UNLESS OTHERWISE SPECIFIED

SCALE	2:1
AREA mm ²	310.153
PERIMETER mm.	225.945
WEIGHT kg/m	0.837

PARTY'S NAME ZECO AIRCON LTD., KOLAR

PARTY'S DRAWING No. AS PER DRAWING

ALLOY & TEMPER 6063 T6

DESCRIPTION AIR GRILL SECTION

DRAWING No.	SECTION No.
P-15909-1	-
S4990	S4990
26987	26987