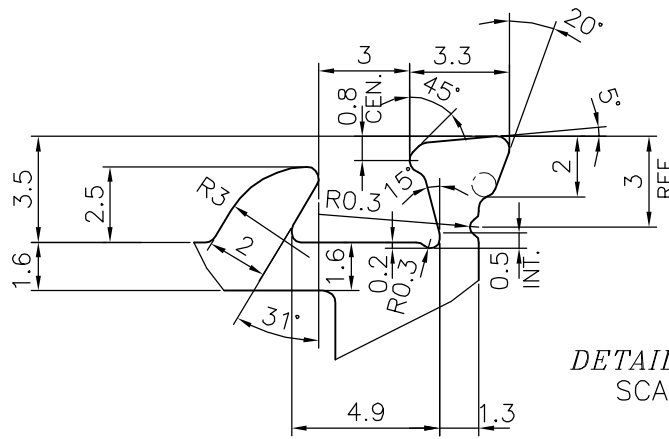
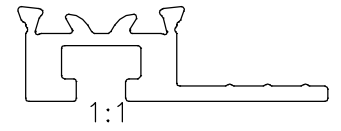


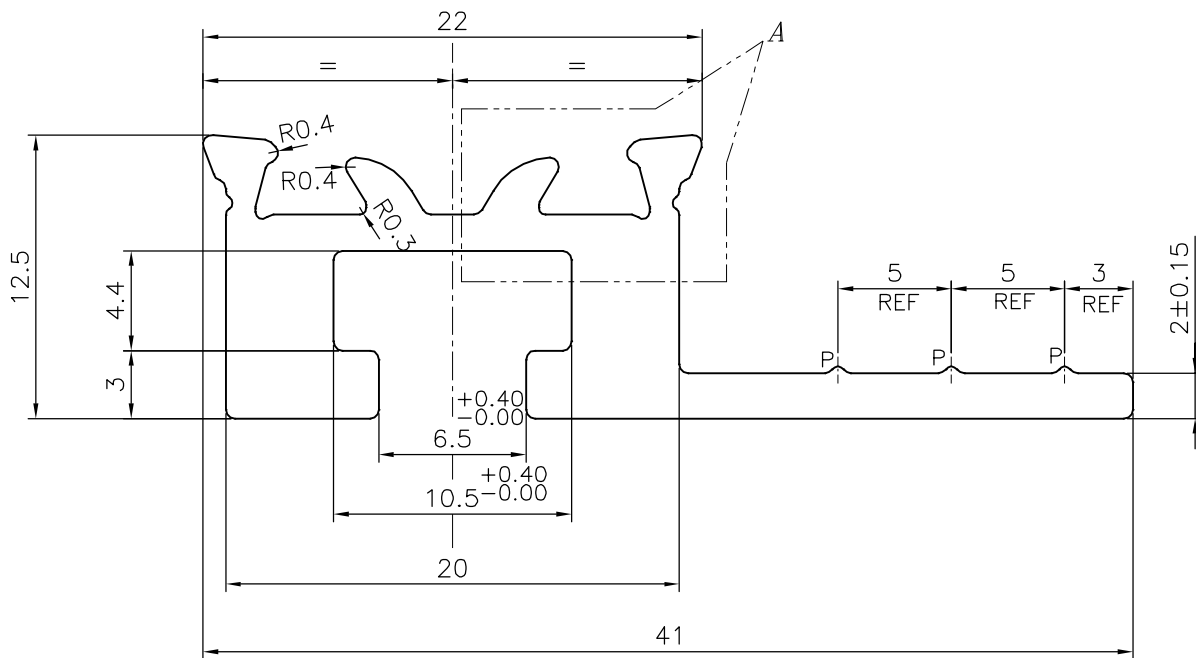
P-18024-2

S5749

26992



DETAIL OF "A"
SCALE 4:1



TOLERANCE #

0.5-<10	±0.25
10-<25	±0.30
25-<50	±0.50
50-<100	±0.70

P = PIP 0.3x90° (3 PLACES)



SYMBOL OF QUALITY
AN ISO 9001 COMPANY

JINDAL ALUMINIUM LTD.
BANGALORE-560073 (INDIA)

	NAME	DATE
DRAWN	J.P.KAUSHIK	28-03-2018
CHECKED		
APPROVED	B.NATARAJA	02-04-2018
SCALE		3:1
AREA mm ²		179.684
PERIMETER mm.		146.788
WEIGHT kg/m		0.485
DRAWING No.	SECTION No.	
P-18024-2	-	
S5749	S5749	
26992	26992	

1. ALL DIMENSIONS ARE IN mm.
2. ROUND OFF ALL SHARP CORNERS WITH 0.40 mm.
3. TOLERANCES WILL BE AS PER IS:3965-1981, UNLESS OTHERWISE SPECIFIED

PARTY'S NAME	VIVANT SOLUTION PVT. LTD., CHENNAI
PARTY'S DRAWING No.	VS450-481
ALLOY & TEMPER	6063 T6
DESCRIPTION	AIR GRILL SECTION