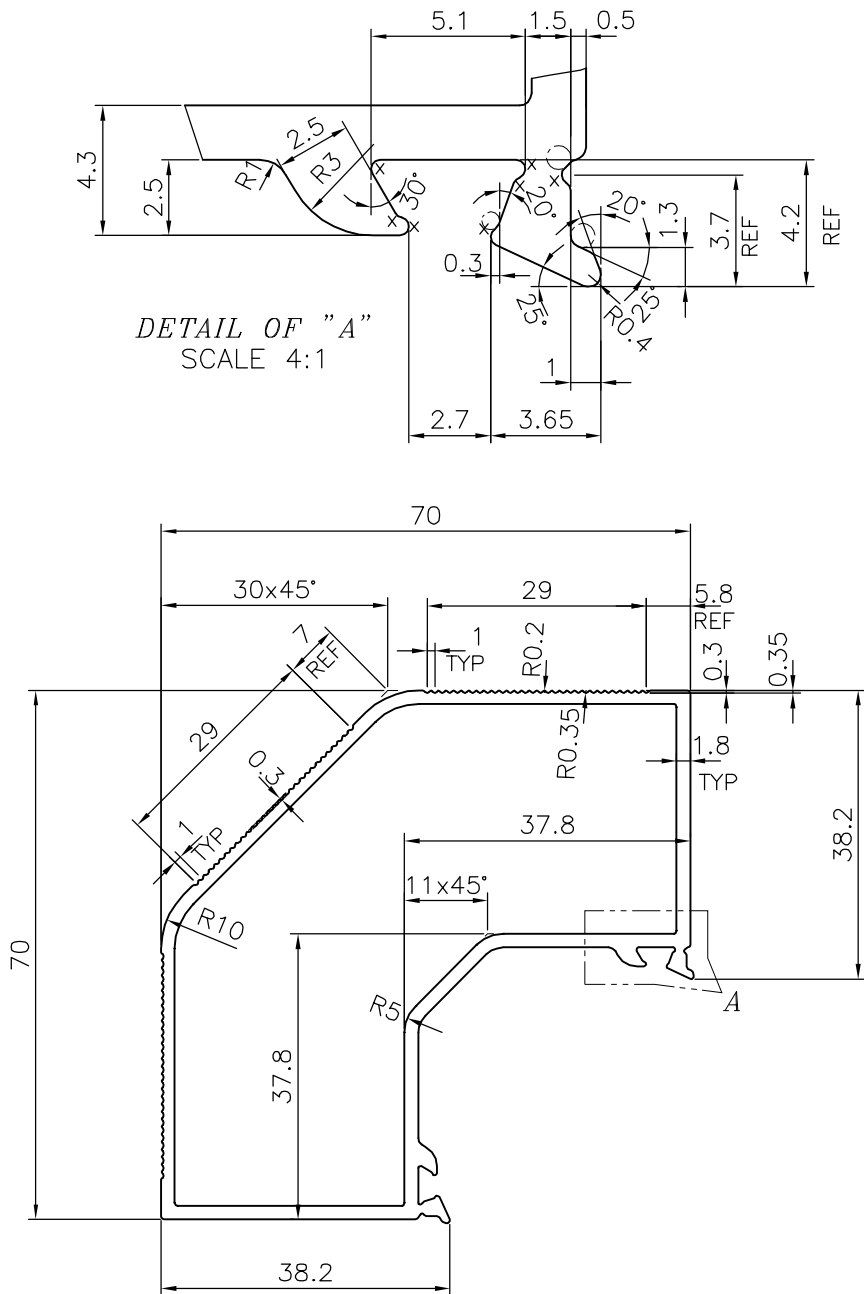


P-18124  
S5954  
26994



ISSUE-2


SERRATION CHANGED

x = RADIUS 0.3 (14 PLACES)

WEIGHT CHANGED FROM 1.254 TO 1.236 kg/m

TOLERANCES ON OVERALL WIDTHS & WIDTHS ACROSS FLATS OF BARS, & REGULAR SECTIONS

UPTO 6.40mm - ±0.20	UPTO 32.0mm - ±0.38	UPTO 120.0mm - ±0.85	UPTO 320.00mm - ±1.70
UPTO 10.0mm - ±0.23	UPTO 50.0mm - ±0.46	UPTO 160.0mm - ±1.02	
UPTO 12.0mm - ±0.25	UPTO 60.0mm - ±0.53	UPTO 200.0mm - ±1.14	
UPTO 16.0mm - ±0.28	UPTO 80.0mm - ±0.69	UPTO 250.0mm - ±1.40	
UPTO 25.0mm - ±0.30	UPTO 100.0mm - ±0.75	UPTO 300.0mm - ±1.65	

 SYMBOL OF QUALITY AN ISO 9001 COMPANY	<b>JINDAL ALUMINIUM LTD.</b> BANGALORE-560073 (INDIA)	NAME	DATE
		DRAWN	J.P.KAUSHIK
		CHECKED	
		APPROVED	B.NATARAJA
			13-10-2018
1. ALL DIMENSIONS ARE IN mm. 2. ROUND OFF ALL SHARP CORNERS WITH 0.40 mm. 3. TOLERANCES WILL BE AS PER IS:6477-1983, UNLESS OTHERWISE SPECIFIED		SCALE	1:1
		AREA mm <sup>2</sup>	457.727
		PERIMETER mm.	304.727
		WEIGHT kg/m	1.236
		DRAWING No.	SECTION No.
		P-18124	-
		S5954	S5954(ISSUE-2)
		26994	26994
PARTY'S NAME	VIVANT SOLUTION PVT. LTD., CHENNAI		
PARTY'S DRAWING No.	VS170-500		
ALLOY & TEMPER	6063 T6		
DESCRIPTION	AIR GRILL SECTION		