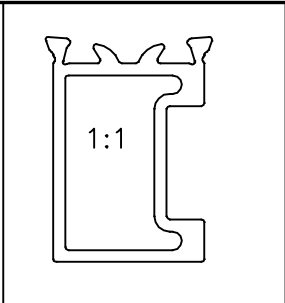
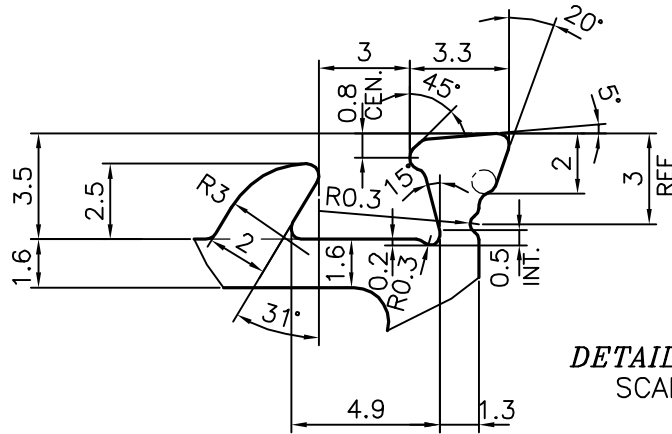
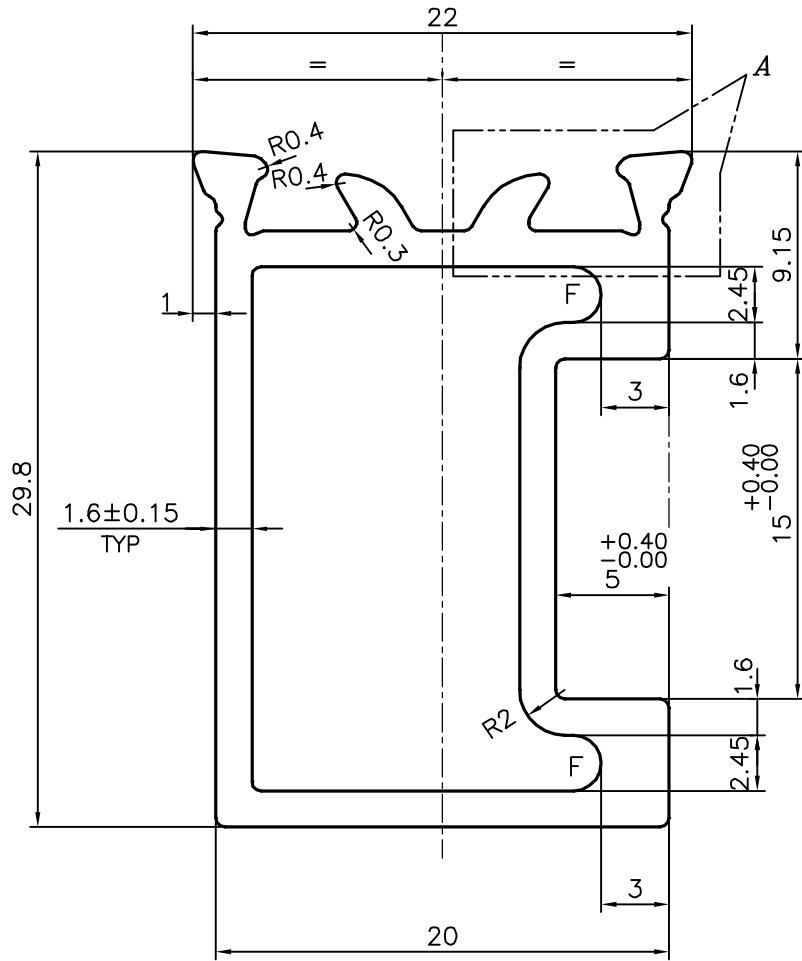


P-18025-2
S5750
26999




DETAIL OF "A"
SCALE 4:1



TOLERANCE #	
0.5- <10	±0.25
10- <25	±0.30
25- <50	±0.50
50- <100	±0.70

F = FULL RADIUS (2 PLACES)

 SYMBOL OF QUALITY AN ISO 9001 COMPANY	JINDAL ALUMINIUM LTD. BANGALORE-560073 (INDIA)	NAME	DATE
		DRAWN	J.P.KAUSHIK
1. ALL DIMENSIONS ARE IN mm. 2. ROUND OFF ALL SHARP CORNERS WITH 0.40 mm. 3. TOLERANCES WILL BE AS PER IS:6477-1983, UNLESS OTHERWISE SPECIFIED		CHECKED	
		APPROVED	B.NATARAJA
PARTY'S NAME VIVANT SOLUTION PVT. LTD., CHENNAI		SCALE	3:1
		AREA mm ²	185.317
PARTY'S DRAWING No. VS450-480		PERIMETER mm.	129.022
		WEIGHT kg/m	0.500
ALLOY & TEMPER 6063 T6		DRAWING No.	SECTION No.
		P-18025-2	-
DESCRIPTION AIR GRILL SECTION		S5750	S5750
		26999	26999