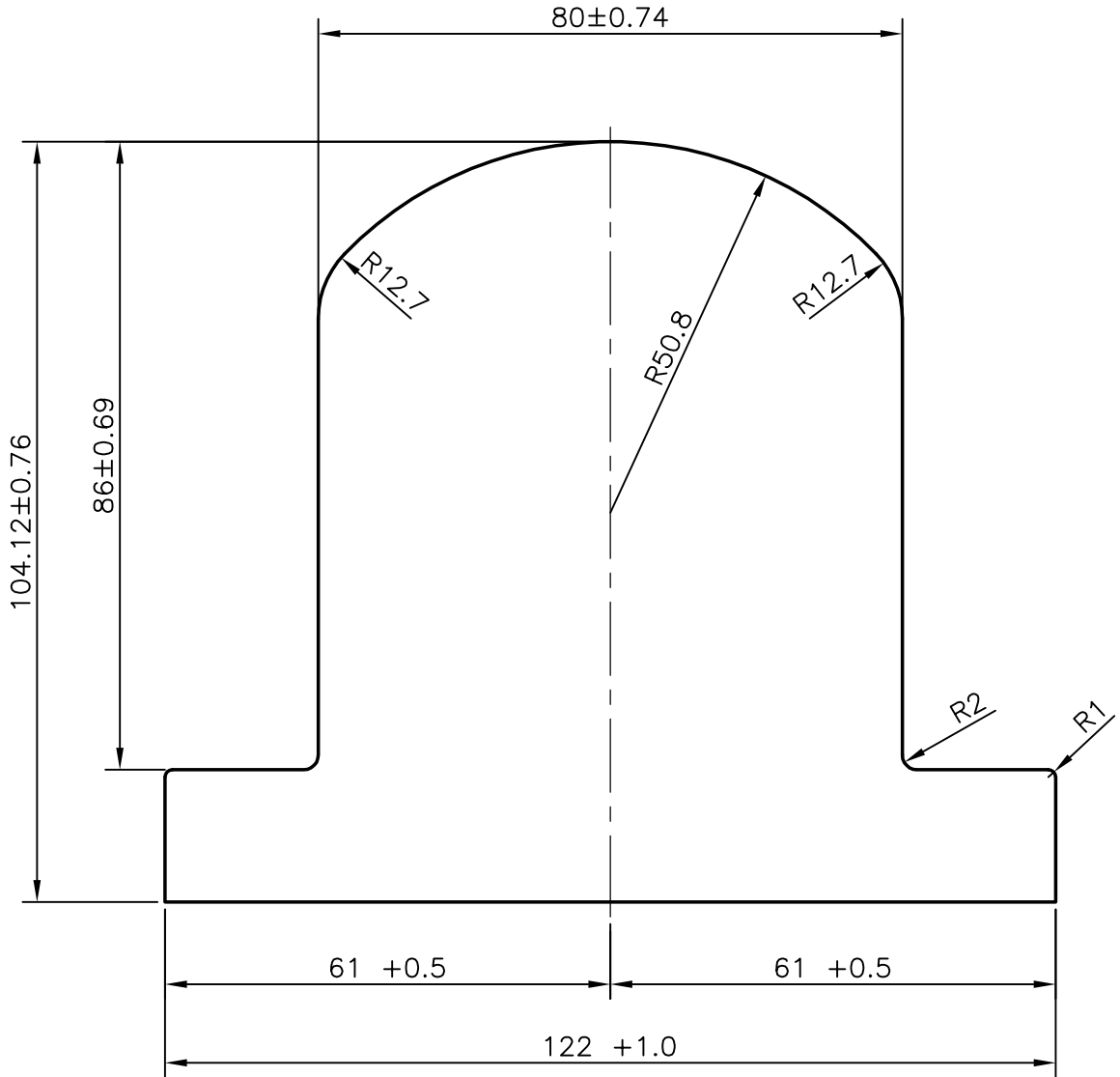


1841
27004
-



JINDAL ALUMINIUM LTD. BANGALORE-560073			NAME	DATE
		DRAWN	R.D.Sharma	18-08-98
1. ALL DIMENSIONS ARE IN mm. 2. ROUND OFF ALL SHARP CORNERS WITH 0.4 mm. 3. TOLERANCES WILL BE AS PER IS: 3965-1981 ,UNLESS OTHERWISE SPECIFIED		CHECKED		
		APPROVED		
		SCALE	1:1	
PARTY'S NAME	DYNAMATIC HYDRAULICS LTD., BANGALORE	WEIGHT kg/m	23.258	
PARTY'S DRAWING No.	P.C.7111-2EXT/B	SECTION No.	27004	
ALLOY & TEMPER	HE30 M	DRAWING No.	27004	
LENGTH	RANDOM LENGTH OF 1000 mm. & ABOVE			
DESCRIPTION	MISCELLANEOUS BAR			