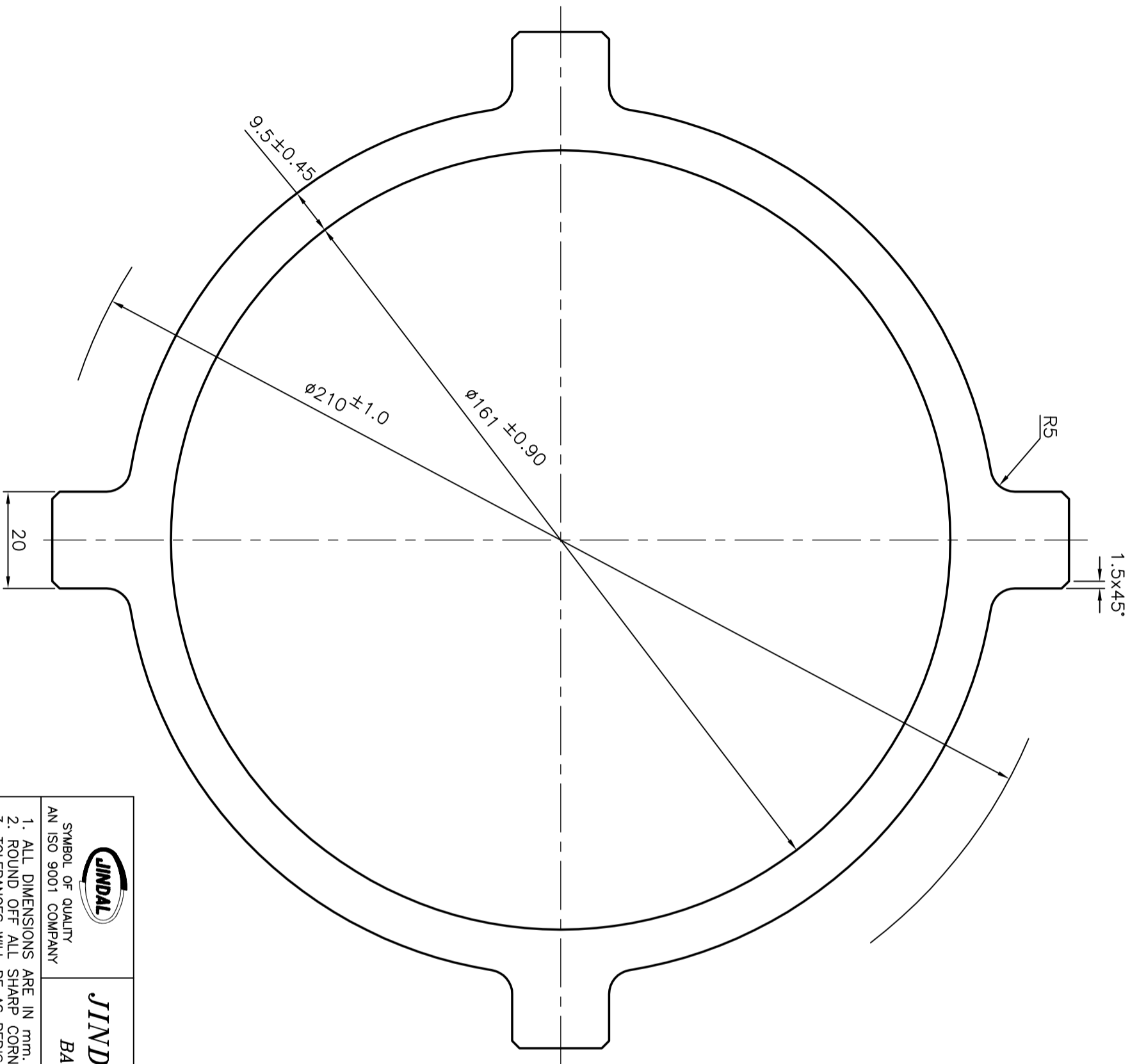


9107

27020



SYMBOL OF QUALITY
AN ISO 9001 COMPANY

JINDAL ALUMINIUM LTD.
BANGALORE-560073 (INDIA)

1. ALL DIMENSIONS ARE IN mm.
2. ROUND OFF ALL SHARP CORNERS WITH 0.40 mm.
3. TOLERANCES WILL BE AS PER IS:2673-1979 UNLESS OTHERWISE SPECIFIED

PARTY'S NAME		MODI INDUSTRIES (F.C.) PVT. LTD., BOMBAY	
PARTY'S DRAWING No.		9009001	
ALLOY & TEMPER		HE9 WP	
DESCRIPTION		INNER CASING	
DRAWN	NAME	DATE	
CHECKED	PRASANN. H	09-02-2007	
APPROVED			
SCALE		1:1	
AREA	mm ²	6324.916	
PERIMETER	mm.	670.32	
WEIGHT	kg/m	17.077	
DRAWING No.		SECTION No.	
9107		9107	
27020		27020	