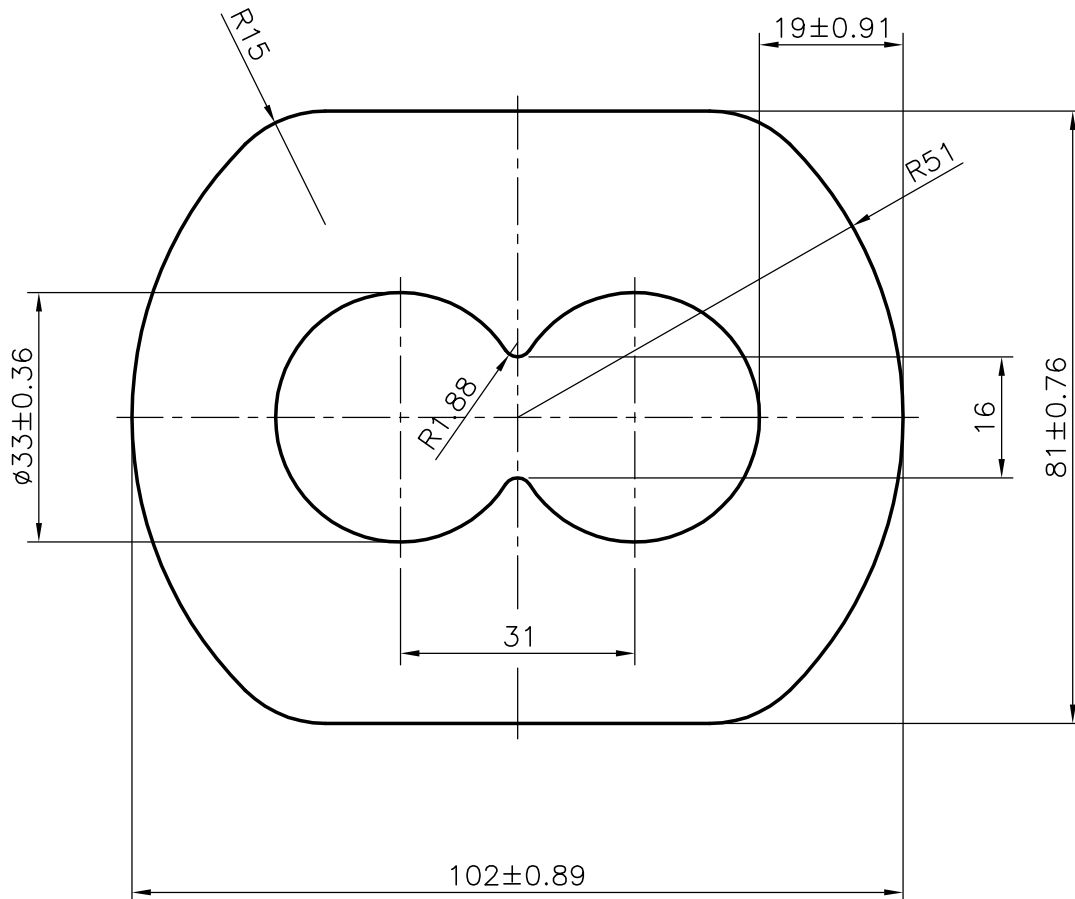


P-3459

S886

9203

27024



SYMBOL OF QUALITY  
AN ISO 9002 COMPANY

**JINDAL ALUMINIUM LTD.**  
BANGALORE-560073 (INDIA)

NAME DATE

DRAWN RAGHAVENDRA 27-07-01

CHECKED

APPROVED

SCALE 1:1

WEIGHT kg/m 15.03

PERIMETER 309.24

SECTION No. 27024

DRAWING No. 27024

1. ALL DIMENSIONS ARE IN mm.
2. ROUND OFF ALL SHARP CORNERS WITH 0.40 mm.
3. TOLERANCES WILL BE AS PER IS 3965-1981 UNLESS OTHERWISE SPECIFIED

PARTY'S NAME G. S. AGRO HYDRAULICS, PUNJAB

PARTY'S DRAWING No. AS PER DRAWING

ALLOY & TEMPER HE 30 WP

DESCRIPTION PUMP BODY HALLOW