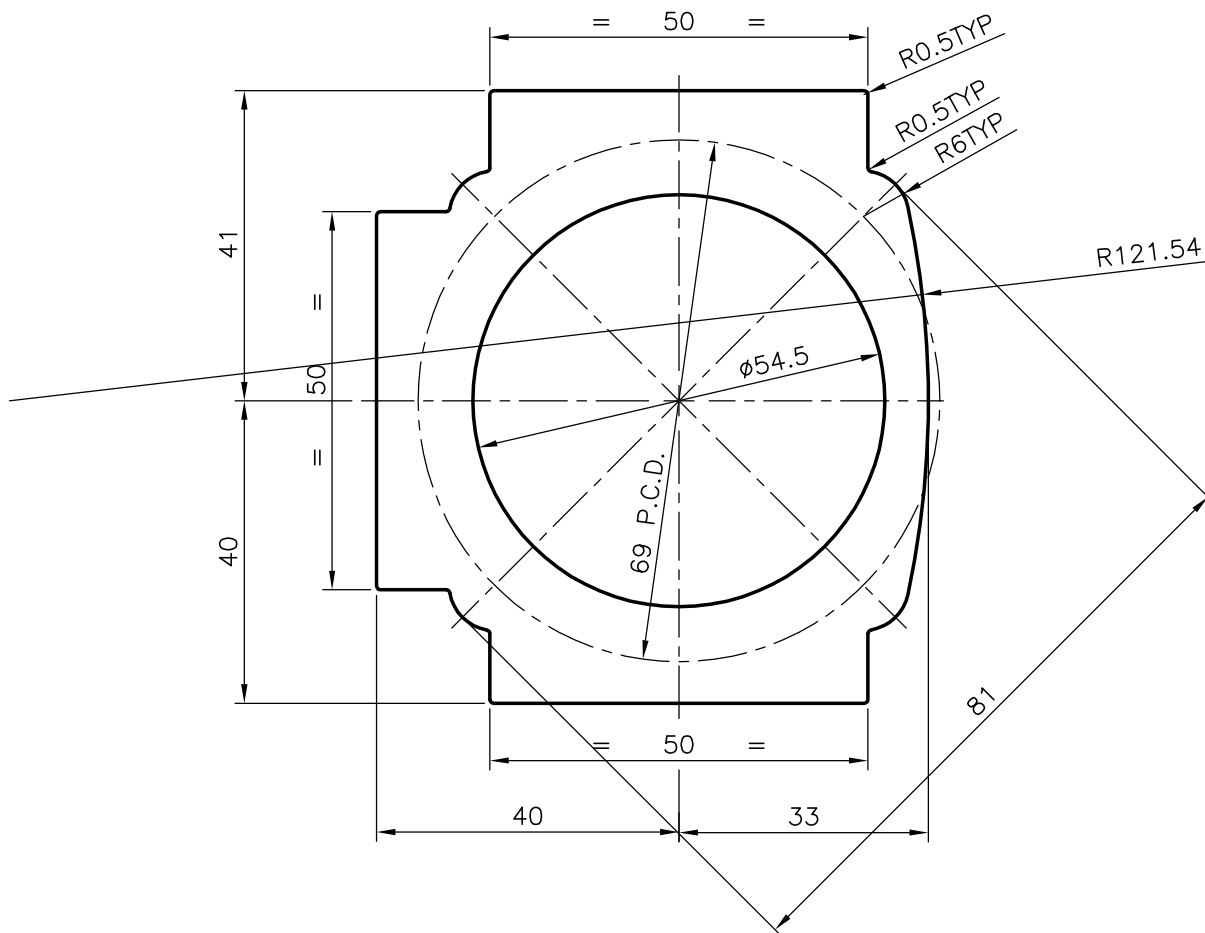


P-5043

S1329

27053



SYMBOL OF QUALITY  
AN ISO 9001 COMPANY

**JINDAL ALUMINIUM LTD.**  
BANGALORE-560073 (INDIA)

	NAME	DATE
DRAWN	RAGHAVENDRA	23-08-2004
CHECKED		
APPROVED		

1. ALL DIMENSIONS ARE IN mm.
2. ROUND OFF ALL SHARP CORNERS WITH 0.40 mm.
3. TOLERANCES WILL BE AS PER IS:6477-1983 UNLESS OTHERWISE SPECIFIED

SCALE	1:1
AREA mm <sup>2</sup>	2909.54
PERIMETER mm.	290.819
WEIGHT kg/m	7.856

PARTY'S NAME	NISHAKA PNEUMATICS, THANE
PARTY'S DRAWING No.	246-01-001
ALLOY & TEMPER	HE30 WP
DESCRIPTION	ACTUATOR BODY

DRAWING No.	SECTION No.
P-5043	-
S1329	S1329
27053	27053