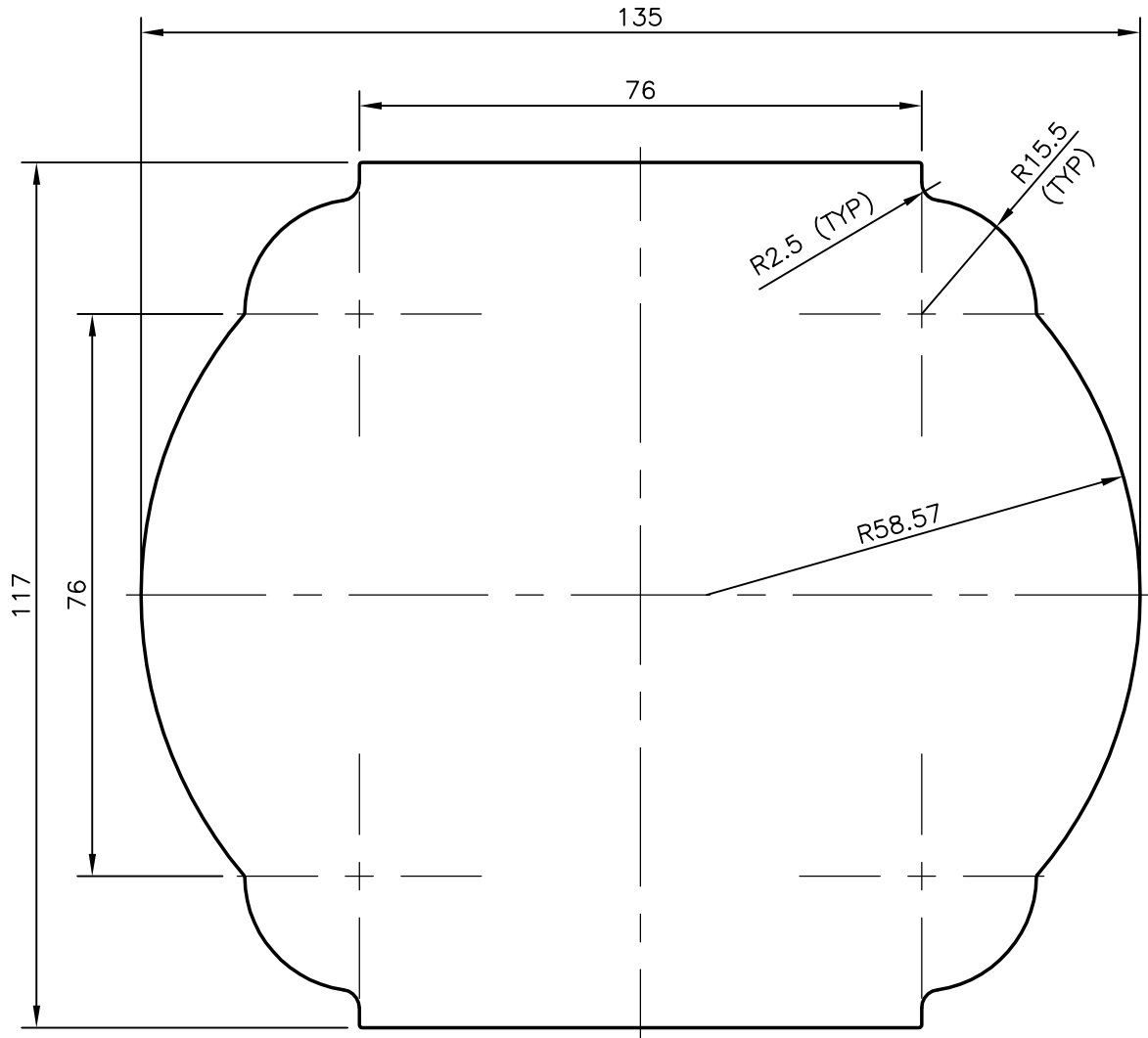


P-7870-1

27068



SYMBOL OF QUALITY
AN ISO 9001 COMPANY

JINDAL ALUMINIUM LTD.
BANGALORE-560073 (INDIA)

	NAME	DATE
DRAWN	PRASANN. H	15-02-2008
CHECKED		
APPROVED		

1. ALL DIMENSIONS ARE IN mm.
2. ROUND OFF ALL SHARP CORNERS WITH 0.40 mm.
3. TOLERANCES WILL BE AS PER IS:3965-1981 UNLESS OTHERWISE SPECIFIED

SCALE	1:1
AREA mm ²	13463.367
PERIMETER mm.	430.429
WEIGHT kg/m	36.351

PARTY'S NAME	SHREE KRUPA HYDRAULICS, AHMEDABAD
PARTY'S DRAWING No.	AS PER DRAWING
ALLOY & TEMPER	HE30 WP
DESCRIPTION	PUMP BODY SECTION

DRAWING No.	SECTION No.
P-7870-1	-
27068	27068