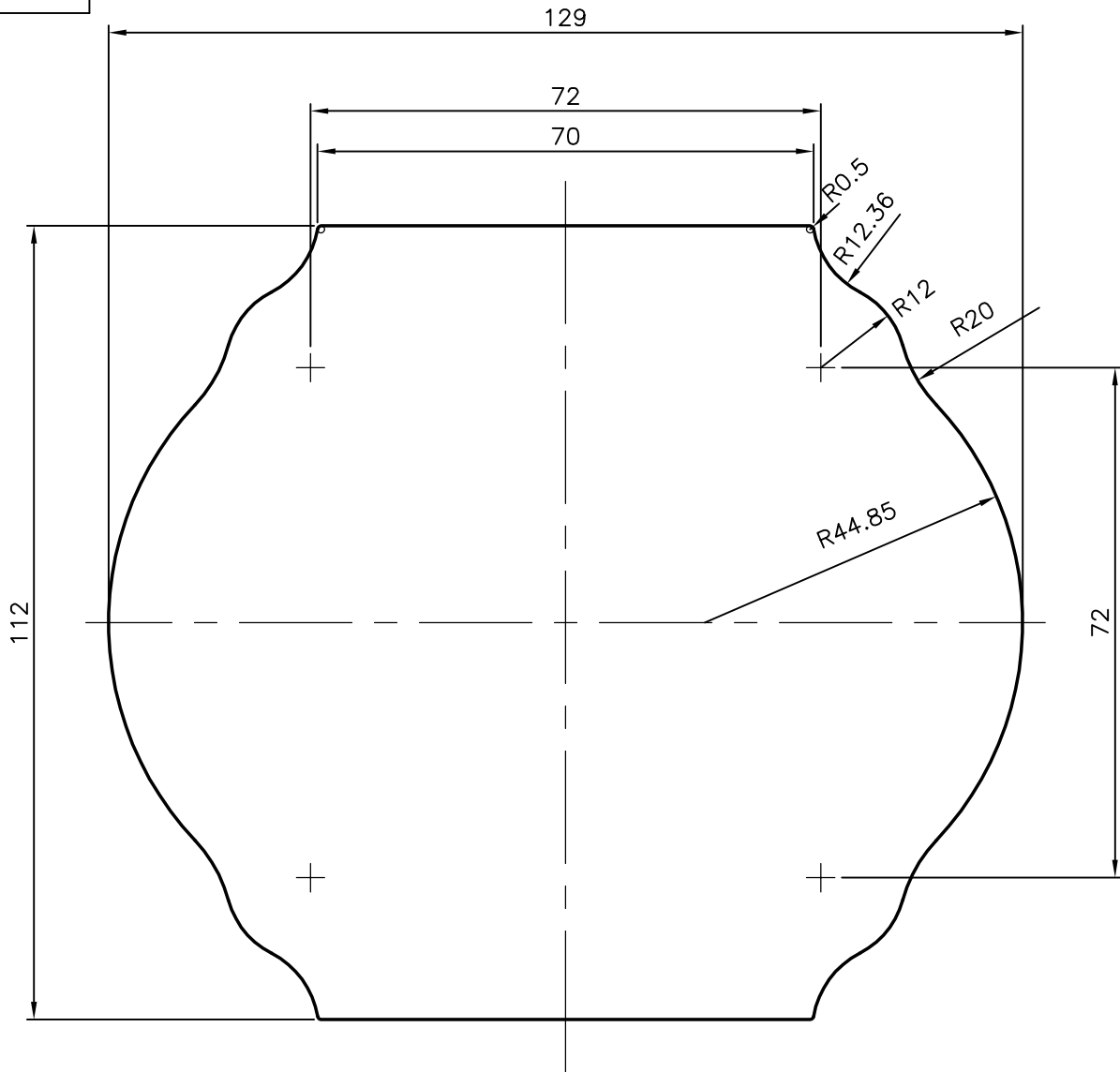



P-6166
S1696
X658
27072



 SYMBOL OF QUALITY AN ISO 9001 COMPANY	<b>JINDAL ALUMINIUM LTD.</b> BANGALORE-560073 (INDIA)	DRAWN	NAME	DATE
		CHECKED	MALINGAPPA	30-01-2006
1. ALL DIMENSIONS ARE IN mm. 2. ROUND OFF ALL SHARP CORNERS WITH 0.40 mm. 3. TOLERANCES WILL BE AS PER IS:3965-1981 UNLESS OTHERWISE SPECIFIED		APPROVED		
		SCALE		1:1
PARTY'S NAME PAMA HYDRO PARTS PVT. LTD., AHMEDABAD		AREA mm <sup>2</sup>		11875.943
		PERIMETER mm.		400.829
PARTY'S DRAWING No. O12PAL		WEIGHT kg/m		32.065
		DRAWING No.		SECTION No.
ALLOY & TEMPER HE30 WP		P-6166		-
		S1696		S1696
DESCRIPTION PUMP BODY		X658		X658
		27072		27072