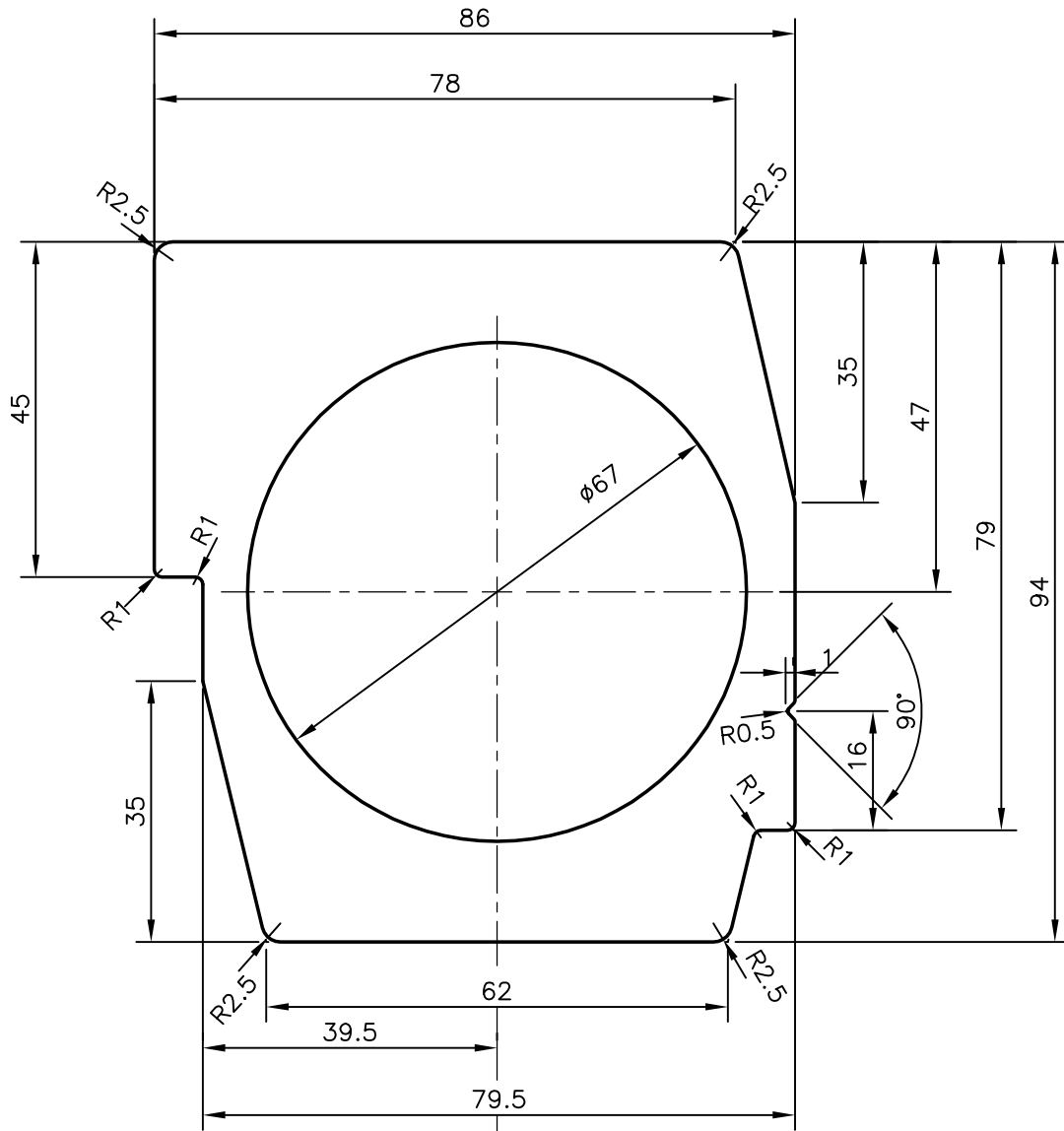


P-11056-1

S3015

27104



SYMBOL OF QUALITY  
AN ISO 9001 COMPANY

**JINDAL ALUMINIUM LTD.**  
BANGALORE-560073 (INDIA)

	NAME	DATE
DRAWN	J.P.KAUSHIK	07-07-2011
CHECKED		
APPROVED	S.S.GARG	03-08-2011
SCALE		1:1
AREA mm <sup>2</sup>		3839.132
PERIMETER mm.		338.571
WEIGHT kg/m		10.366
DRAWING No.	SECTION No.	
P-11056-1	-	
S3015	S3015	
27104	27104	

1. ALL DIMENSIONS ARE IN mm.
2. ROUND OFF ALL SHARP CORNERS WITH 0.40 mm.
3. TOLERANCES WILL BE AS PER, IS:6477-1983 UNLESS OTHERWISE SPECIFIED

PARTY'S NAME	IMPEX ENGINEERING WORKS, HOWRAH
PARTY'S DRAWING No.	AS PER SKETCH
ALLOY & TEMPER	HE30 WP
DESCRIPTION	PUMP BODY