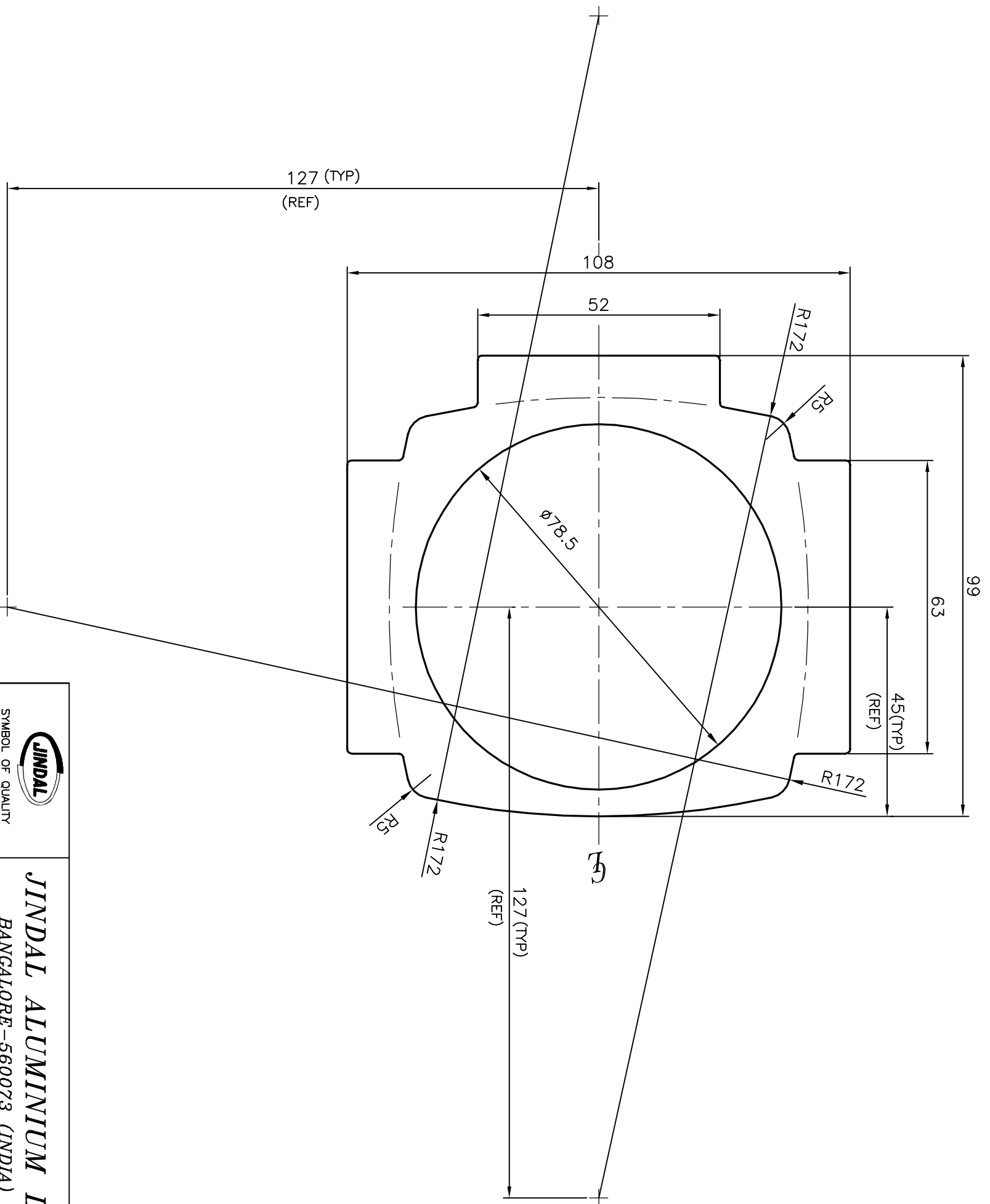



P-12497
S3631
27112



 JINDAL ALUMINIUM LTD. BANGALORE-560073 (INDIA)		NAME	DATE
		DRAWN	SRIYATHSA
SYMBOL OF QUALITY AN ISO 9001 COMPANY		CHECKED	
1. ALL DIMENSIONS ARE IN mm. 2. ROUND OFF ALL SHARP CORNERS WITH 1.00 mm. 3. TOLERANCES WILL BE AS PER IS:6477-1983, UNLESS OTHERWISE SPECIFIED		APPROVED	S.S.GARG
05-02-2013		SCALE	1:1
PARTY'S NAME NISHAKA PNEUMATICS, THANE		AREA	mm ² 4410.954
PARTY'S DRAWING No. NP/50080/AB-001		PERIMETER	mm. 386.6
ALLOY & TEMPER 6063 T6		WEIGHT	kg/m 11.91
DESCRIPTION ACTUATOR-BODY		DRAWING No.	SECTION No.
		P-12497	
		S3631	S3631
		27112	27112