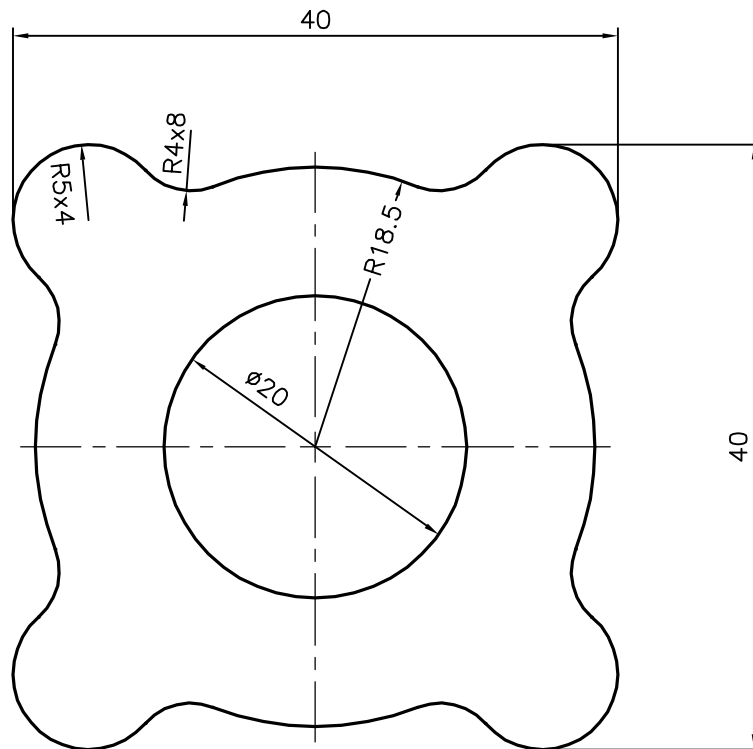
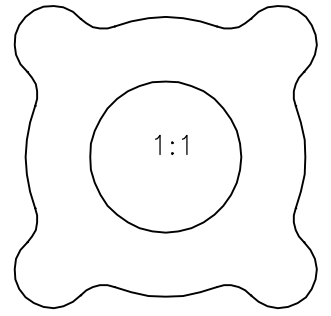


P-13864

S4203

27122



SYMBOL OF QUALITY
AN ISO 9001 COMPANY

JINDAL ALUMINIUM LTD.
BANGALORE-560073 (INDIA)

	NAME	DATE
DRAWN	J.P.KAUSHIK	07-08-2014
CHECKED		
APPROVED	S.S.GARG	14-08-2014
SCALE		2:1
AREA mm ²		1046.172
PERIMETER mm.		160.099
WEIGHT kg/m		2.825
DRAWING No.	SECTION No.	
P-13864	-	
S4203	S4203	
27122	27122	

1. ALL DIMENSIONS ARE IN mm.
2. ROUND OFF ALL SHARP CORNERS WITH 0.40 mm.
3. TOLERANCES WILL BE AS PER IS:6477-1983 , UNLESS OTHERWISE SPECIFIED

PARTY'S NAME	POLYHYDRON PVT. LTD., BELGAUM
PARTY'S DRAWING No.	P04488A
ALLOY & TEMPER	6061 T6
DESCRIPTION	PUMP BODY