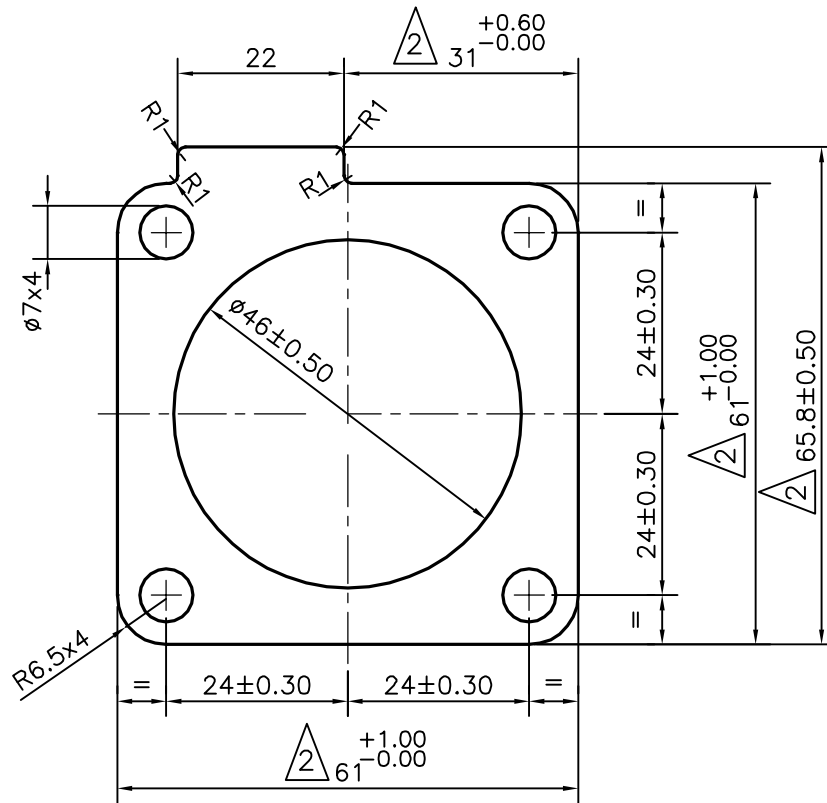


P-17404-1

S5507

27126



ISSUE-  $\triangle$  2

DIMENSION CHANGED FROM 65.5±0.70 mm TO 65.8±0.50 mm

TOLERANCE ADDED  $61^{+1.00}_{-0.00}$  mm &  $31^{+0.60}_{-0.00}$  mm

WEIGHT ALSO CHANGED FROM 5.313 TO 5.331 kg/m

TOLERANCES ON OVERALL DIMENSIONS OF HOLLOW SECTIONS

UPTO 20.0mm - ±0.30  
 UPTO 30.0mm - ±0.38  
 UPTO 40.0mm - ±0.45  
 UPTO 50.0mm - ±0.52  
 UPTO 60.0mm - ±0.60

UPTO 80.0mm - ±0.70  
 UPTO 100.0mm - ±0.80  
 UPTO 120.0mm - ±0.90  
 UPTO 140.0mm - ±1.00  
 UPTO 160.0mm - ±1.14

UPTO 180.0mm - ±1.27  
 UPTO 200.0mm - ±1.40  
 UPTO 225.0mm - ±1.52

1. STRAIGHTNESS=1.7mm/M
2. TWIST=1.7mm/M
3. ANGULARITY= ±2°
4. FLATNESS =0.006xWIDTH



SYMBOL OF QUALITY  
 AN ISO 9001 COMPANY

**JINDAL ALUMINIUM LTD.**  
 BANGALORE-560073 (INDIA)

	NAME	DATE
DRAWN	J.P.KAUSHIK	29-05-2020
CHECKED		
APPROVED	B.NATARAJA	06-07-2020

1. ALL DIMENSIONS ARE IN mm.
2. ROUND OFF ALL SHARP CORNERS WITH 0.40 mm.
3. TOLERANCES WILL BE AS PER,IS:6477-1983 UNLESS OTHERWISE SPECIFIED

SCALE	1:1
AREA mm <sup>2</sup>	1974.492
PERIMETER mm.	240.724
WEIGHT kg/m	5.331 $\Delta$

PARTY'S NAME	POLYHYDRON PVT. LTD., BELGAUM
PARTY'S DRAWING No.	P 75303 A & REQUIREMENT
ALLOY & TEMPER	6061 T6
DESCRIPTION	HOUSING PT-VALVE SECTION

DRAWING No.	SECTION No.
P-17404-1	-
S5507	S5507
27126	27126(ISSUE-2)