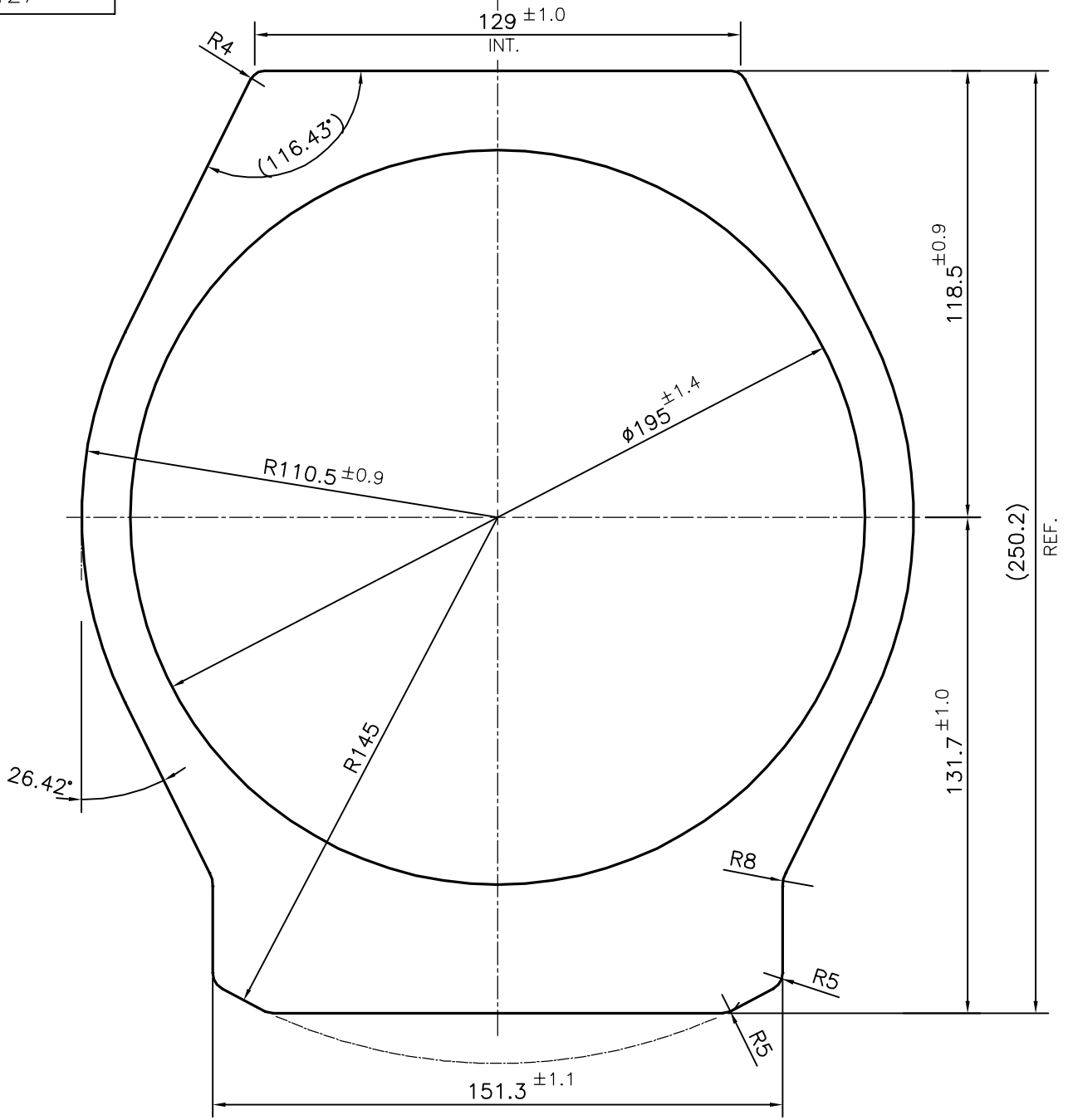


P-15620-1

S4876

27127



SYMBOL OF QUALITY  
AN ISO 9001 COMPANY

**JINDAL ALUMINIUM LTD.**  
BANGALORE-560073 (INDIA)

	NAME	DATE
DRAWN	PARVESH	24-02-2016
CHECKED		
APPROVED	S.S.GARG	07-03-2016
SCALE		0.6:1
AREA mm <sup>2</sup>		15922.325
PERIMETER mm.		800.728
WEIGHT kg/m		42.990
DRAWING No.	SECTION No.	
P-15620-1	-	
S4876	S4876	
27127	27127	

1. ALL DIMENSIONS ARE IN mm.
2. ROUND OFF ALL SHARP CORNERS WITH 0.40 mm.
3. TOLERANCES WILL BE AS PER IS:6477-1983 , UNLESS OTHERWISE SPECIFIED

PARTY'S NAME	AIRA EURO AUTOMATION PVT. LTD., AHMEDABAD
PARTY'S DRAWING No.	DDA-EX-00-AL-200-01
ALLOY & TEMPER	6063 T6
DESCRIPTION	PUMP BODY SECTION