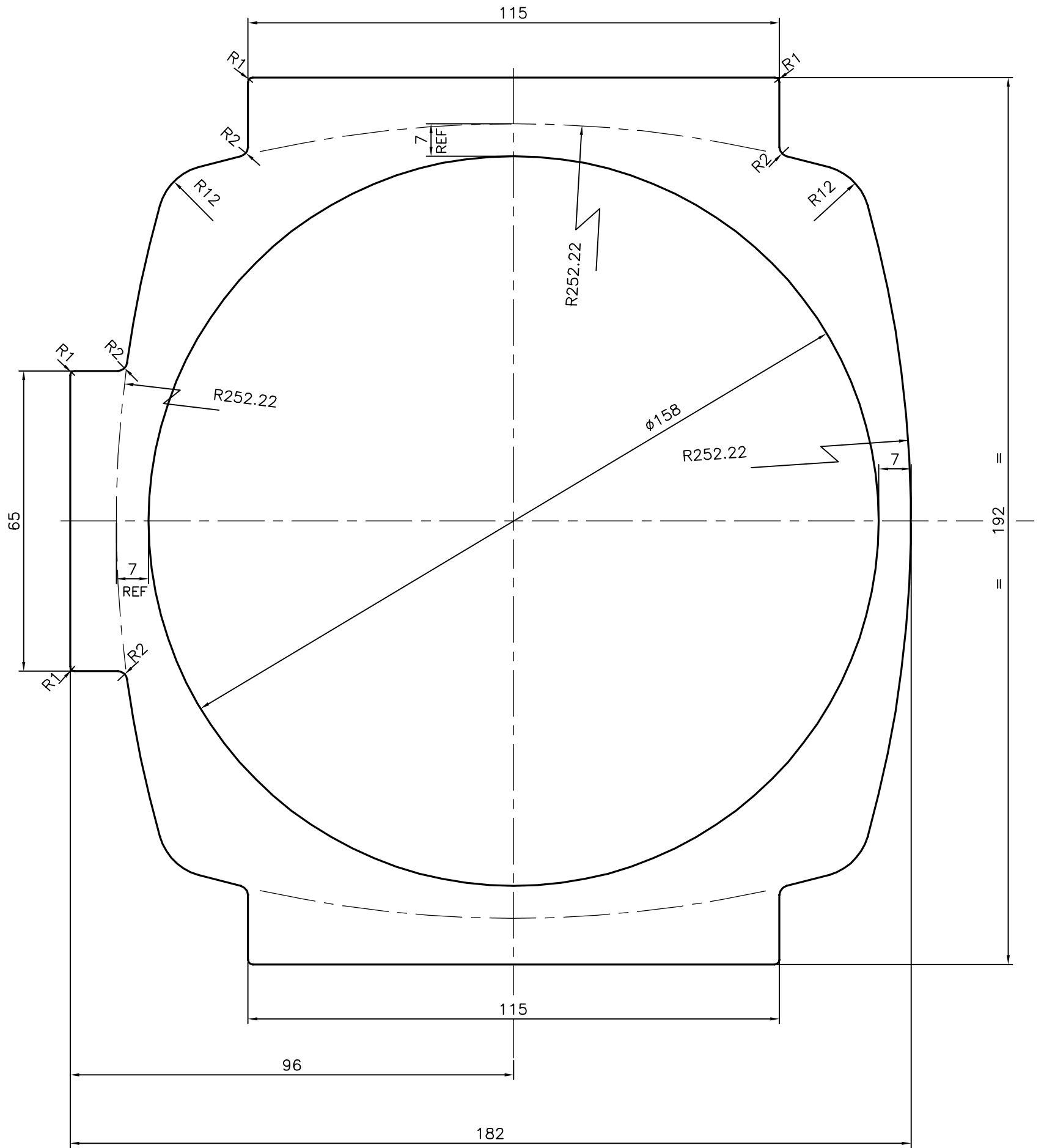



P-17937
S5710
27140



 SYMBOL OF QUALITY AN ISO 9001 COMPANY	JINDAL ALUMINIUM LTD. BANGALORE-560073 (INDIA)	DRAWN	J.P.KAUSHIK	28-02-2018
		CHECKED		
1. ALL DIMENSIONS ARE IN mm. 2. ROUND OFF ALL SHARP CORNERS WITH 0.40 mm. 3. TOLERANCES WILL BE AS PER IS:6477-1983 UNLESS OTHERWISE SPECIFIED		APPROVED	B.NATARAJ	03-03-2018
		SCALE		1:1
PARTY'S NAME NISHAKA PNEUMATICS, THANE		AREA	mm ²	10709.883
		PERIMETER	mm.	684.995
PARTY'S DRAWING No. NP/50160/AB-001		WEIGHT	kg/m	28.917
		DRAWING No.		SECTION No.
ALLOY & TEMPER HE30 WP		P-17937		-
		S5710		S5710
DESCRIPTION ACTUATOR BODY		27140		27140