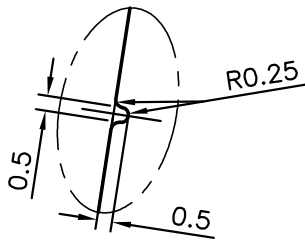


P-6136-2

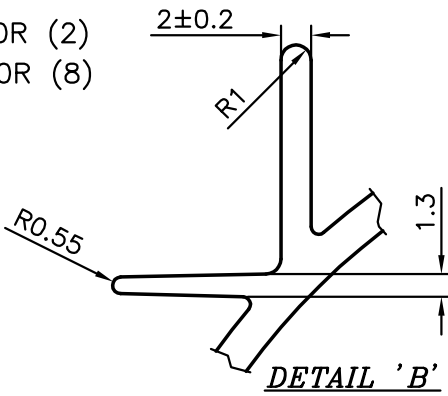
27230

* = 2.0R (2)

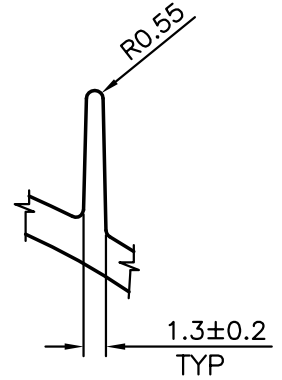
\$ = 1.0R (8)



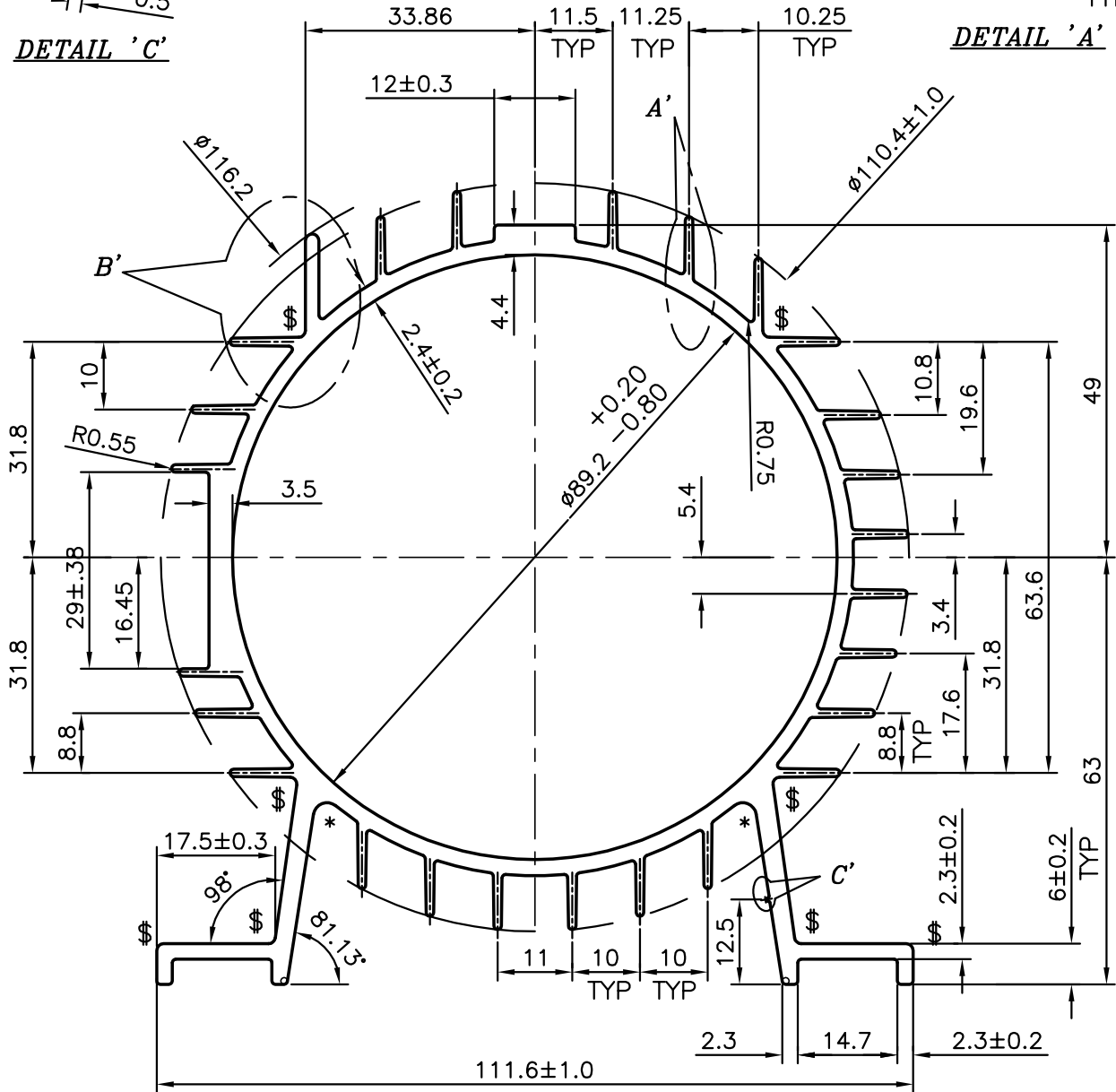
DETAIL 'C'



DETAIL 'B'



DETAIL 'A'



SYMBOL OF QUALITY
AN ISO 9001 COMPANY

JINDAL ALUMINIUM LTD.
BANGALORE-560073 (INDIA)

	NAME	DATE
DRAWN	MALINGAPPA	22-02-2006
CHECKED		
APPROVED		

- ALL DIMENSIONS ARE IN mm.
- ROUND OFF ALL SHARP CORNERS WITH 0.50 mm.
- TOLERANCES WILL BE AS PER IS:6477-1983 UNLESS OTHERWISE SPECIFIED

SCALE	1:1
AREA mm ²	1348.098
PERIMETER mm.	922.882
WEIGHT kg/m	3.640

PARTY'S NAME	GENERAL CATEGORY, COMBATORE MARKET
PARTY'S DRAWING No.	AS PER DRAWING (27208)
ALLOY & TEMPER	HE9 WP
DESCRIPTION	MOTOR BODY

DRAWING No.	SECTION No.
P-6136-2	-
27230	27230