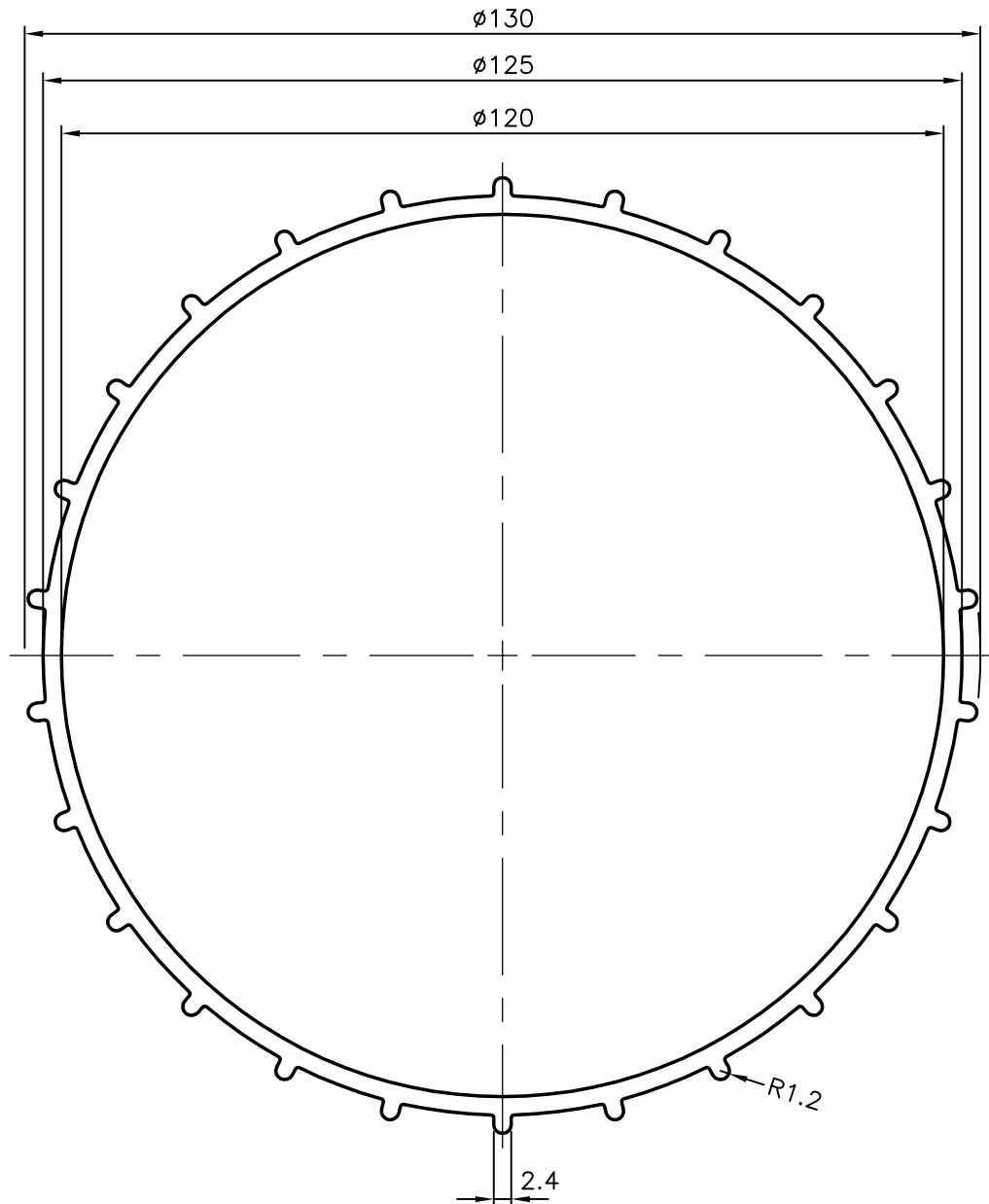


7796

27348



SYMBOL OF QUALITY  
AN ISO 9001 COMPANY

**JINDAL ALUMINIUM LTD.**  
BANGALORE-560073 (INDIA)

	NAME	DATE
DRAWN	RAGHAVENDRA	14-11-2005
CHECKED		
APPROVED		
SCALE		1:1
AREA	mm <sup>2</sup>	1103.974
PERIMETER	mm.	488.039
WEIGHT	kg/m	2.981
DRAWING No.	SECTION No.	
7796	7796	
27348	27348	

1. ALL DIMENSIONS ARE IN mm.
2. ROUND OFF ALL SHARP CORNERS WITH 0.40 mm.
3. TOLERANCES WILL BE AS PER IS:6477-1983 UNLESS OTHERWISE SPECIFIED

PARTY'S NAME LOHIA STARLINGER PVT. LTD., KANPUR

PARTY'S DRAWING No. -

ALLOY & TEMPER HE9 WP

DESCRIPTION FINNED TUBE