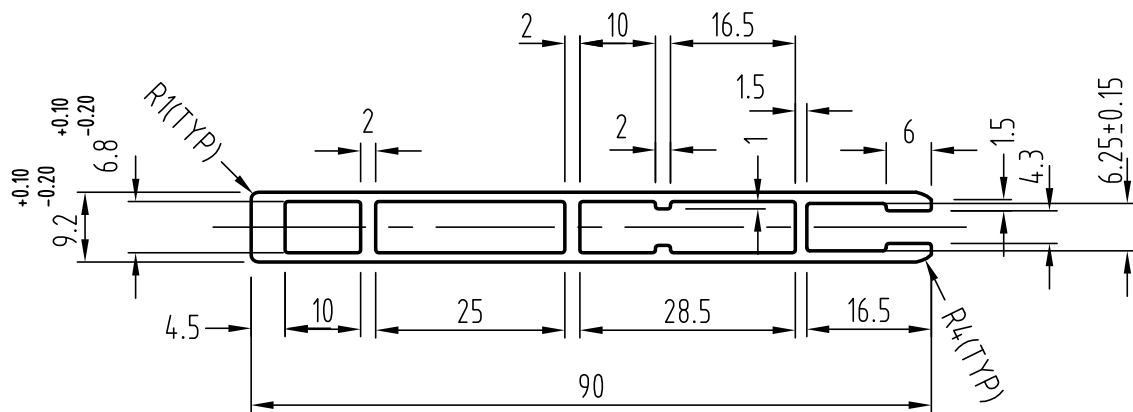


P-4577

7085

27359




+0.0      +0.10  
-0.30      -0.20

ISSUE-3    DIMENSION CHAINED FROM 9.3 TO 9.2 ,

+0.10  
-0.20

DIMENSION ADDED 6.8 & DIMENSION 1.25 REMOVED.

ISSUE-4    DIMENSION ADDED 6.25 ±0.15

 SYMBOL OF QUALITY AN ISO 9001 COMPANY	<b>JINDAL ALUMINIUM LTD.</b> BANGALORE-560073 (INDIA)	DRAWN	NAME	DATE
		CHECKED	J.P.KAUSHIK	26-12-2005
		APPROVED		
1. ALL DIMENSIONS ARE IN mm. 2. ROUND OFF ALL SHARP CORNERS WITH 0.40 mm. 3. TOLERANCES WILL BE AS PER IS:6477-1983 UNLESS OTHERWISE SPECIFIED		SCALE		1:1
		AREA mm <sup>2</sup>		307.315
		PERIMETER mm.		231.653
PARTY'S NAME GENERAL CATEGORY, MUMBAI		WEIGHT kg/m		0.83
		DRAWING No.	SECTION No.	
PARTY'S DRAWING No. AS PER DRAWING		P-4577		-
		7085		7085-ISSUE-2
ALLOY & TEMPER HE9 WP		27359		27359-ISSUE-4
		DESCRIPTION		MISCELLANEOUS TUBE