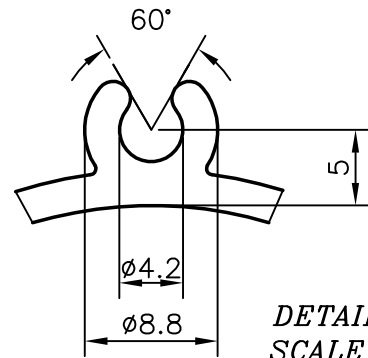


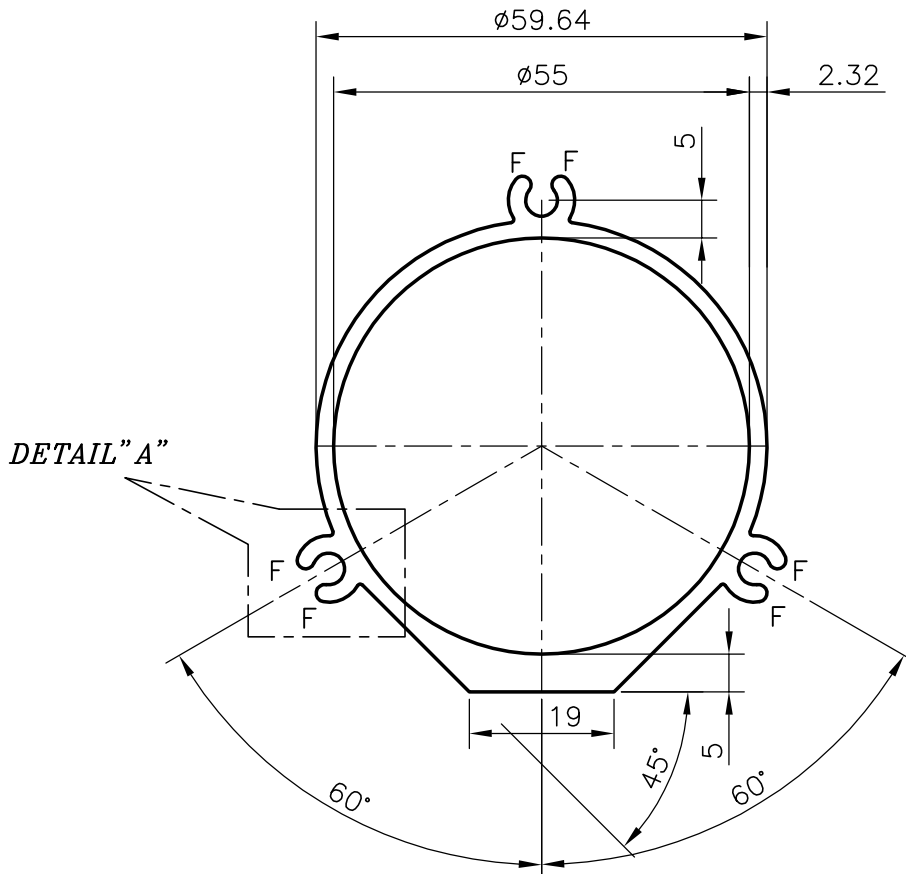
P-4569-1

7098

27368



DETAIL "A"  
SCALE 2:1



F = FULL RADIUS (6 PLACES)



SYMBOL OF QUALITY  
AN ISO 9001 COMPANY

**JINDAL ALUMINIUM LTD.**  
BANGALORE-560073 (INDIA)

	NAME	DATE
DRAWN	D K Shaw	25-11-03
CHECKED		
APPROVED		

1. ALL DIMENSIONS ARE IN mm.
2. ROUND OFF ALL SHARP CORNERS WITH 0.40 mm.
3. TOLERANCES WILL BE AS PER IS: 6477-1983 UNLESS OTHERWISE SPECIFIED

SCALE	1:1
AREA mm <sup>2</sup>	603.5
PERIMETER mm.	255.3
WEIGHT kg/m	1.629

PARTY'S NAME GENERAL CATEGORY, DELHI

PARTY'S DRAWING No. LIGHTER SECTION OF 7770

ALLOY & TEMPER HE9 WP

DESCRIPTION FILTER HOUSING

DRAWING No.	SECTION No.
P-4569-1	-
7098	7098
27368	27368