

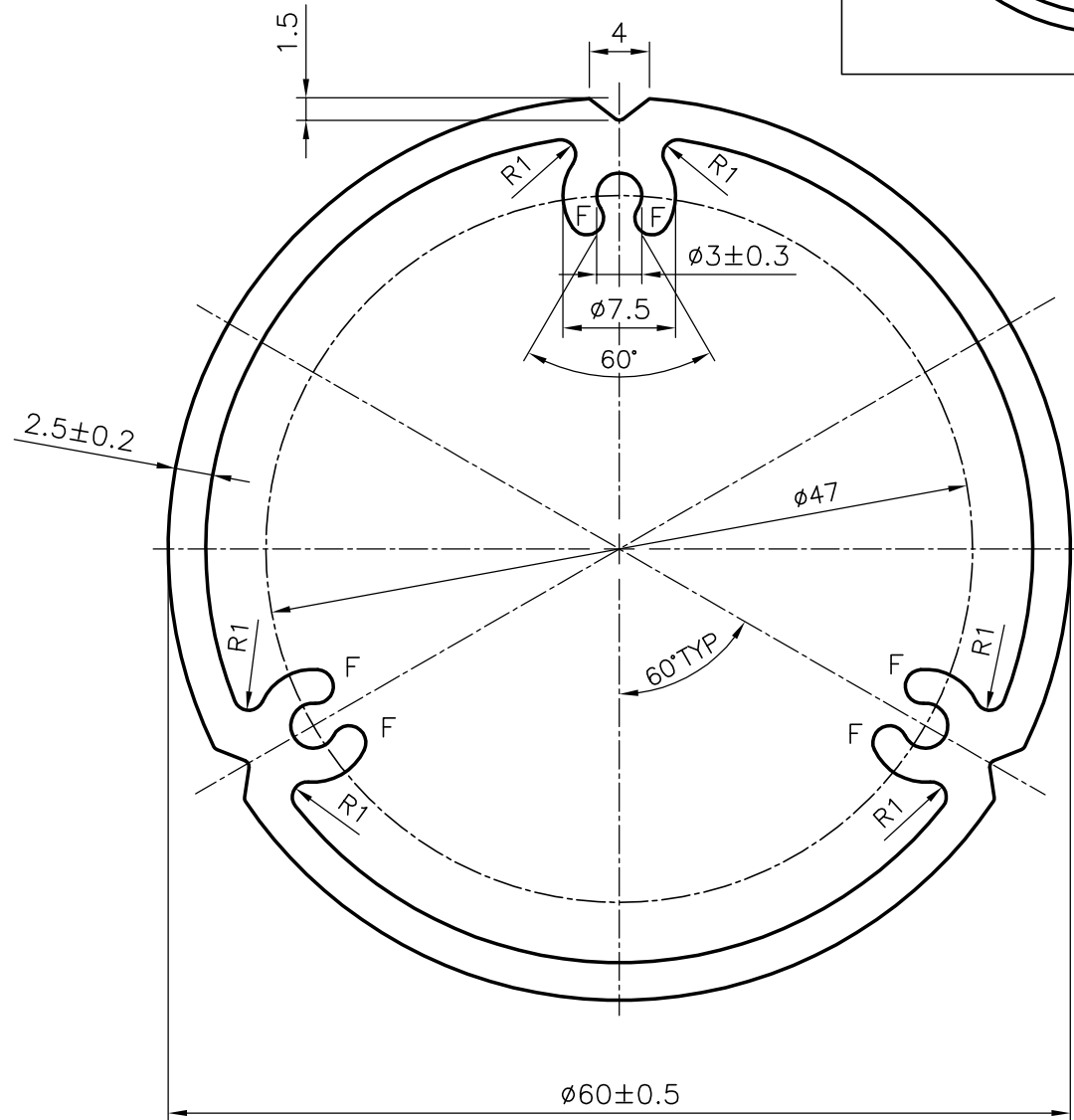
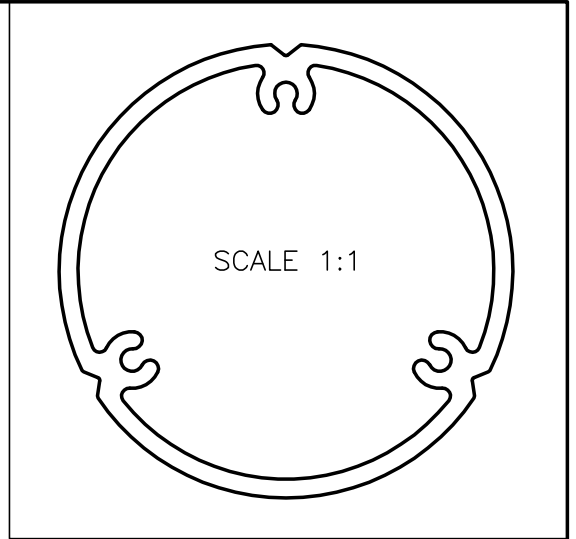
P-3779

S868

7161

27388

1. GENERAL WALL THICKNESS = 2.5 ± 0.20
2. F = FULL RADII (6 PLACES)



SYMBOL OF QUALITY
AN ISO 9002 COMPANY

JINDAL ALUMINIUM LTD.
BANGALORE-560073 (INDIA)

	NAME	DATE
DRAWN	RAGHAVENDRA	14-02-02
CHECKED		
APPROVED		

1. ALL DIMENSIONS ARE IN mm.
2. ROUND OFF ALL SHARP CORNERS WITH 0.40 mm.
3. TOLERANCES WILL BE AS PER IS 6477-1983 UNLESS OTHERWISE SPECIFIED

SCALE	2:1 & 1:1
AREA mm ²	543.57
PERIMETER	191.34mm
WEIGHT kg/m	1.467
SECTION No.	27388
DRAWING No.	27388

PARTY'S NAME	TWINKLE LUMINAIRES PVT. LTD. DELHI
PARTY'S DRAWING No.	AS PER DRAWING
ALLOY & TEMPER	HE9 WP
DESCRIPTION	MISC TUBE